

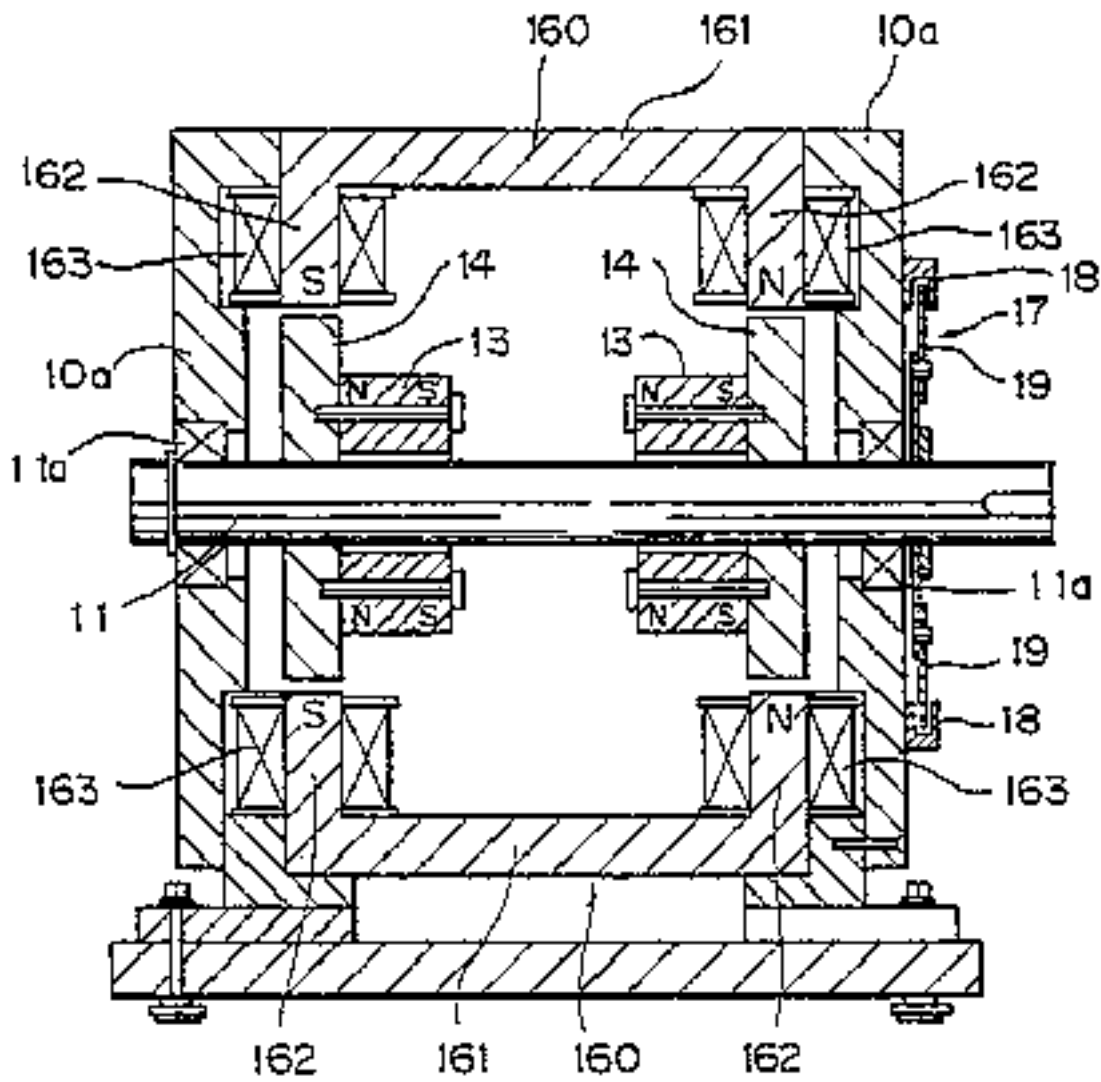
# [The Tom Bearden Website](#)

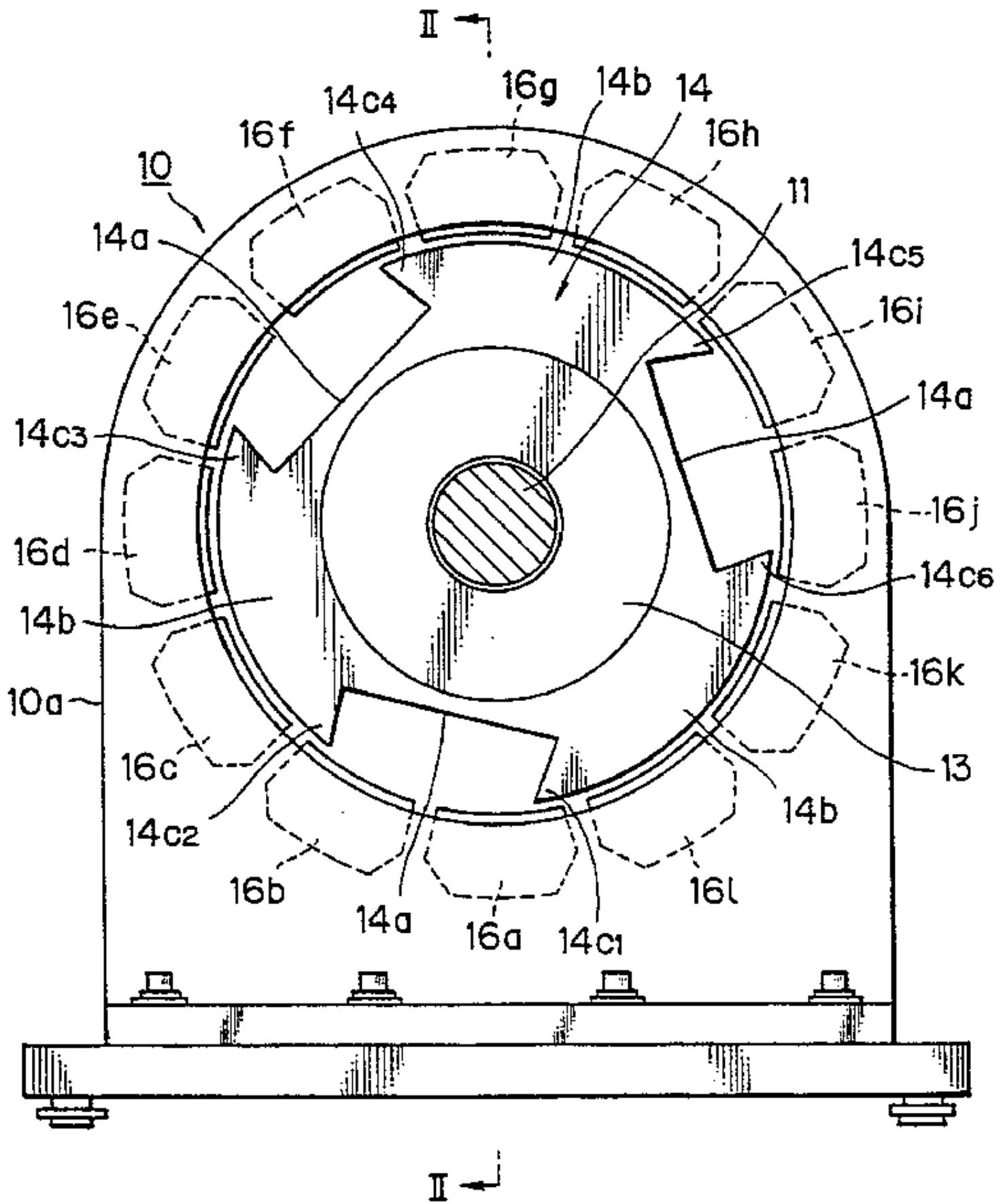
## Kawai Patent Diagrams - 19 sheets

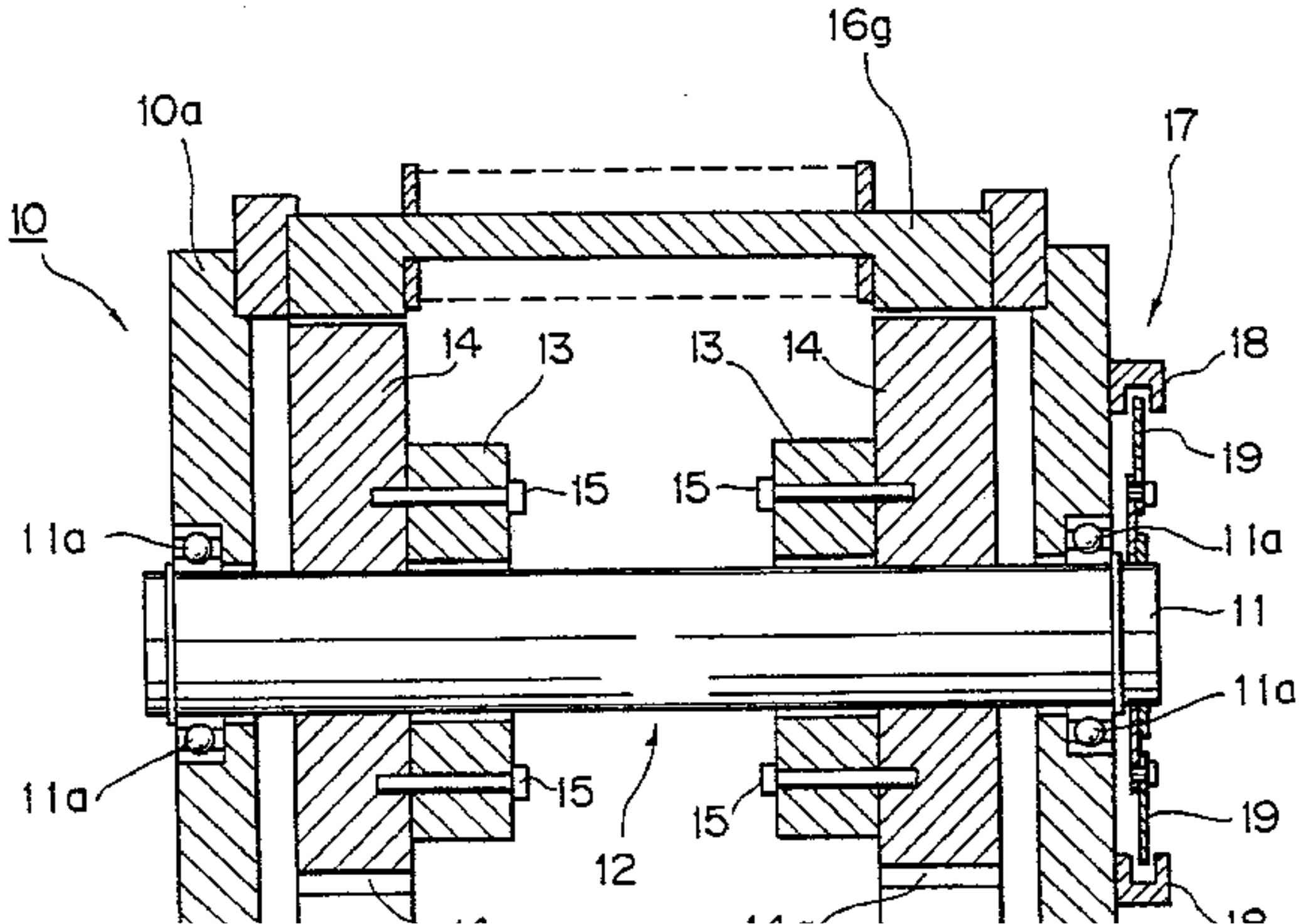
---

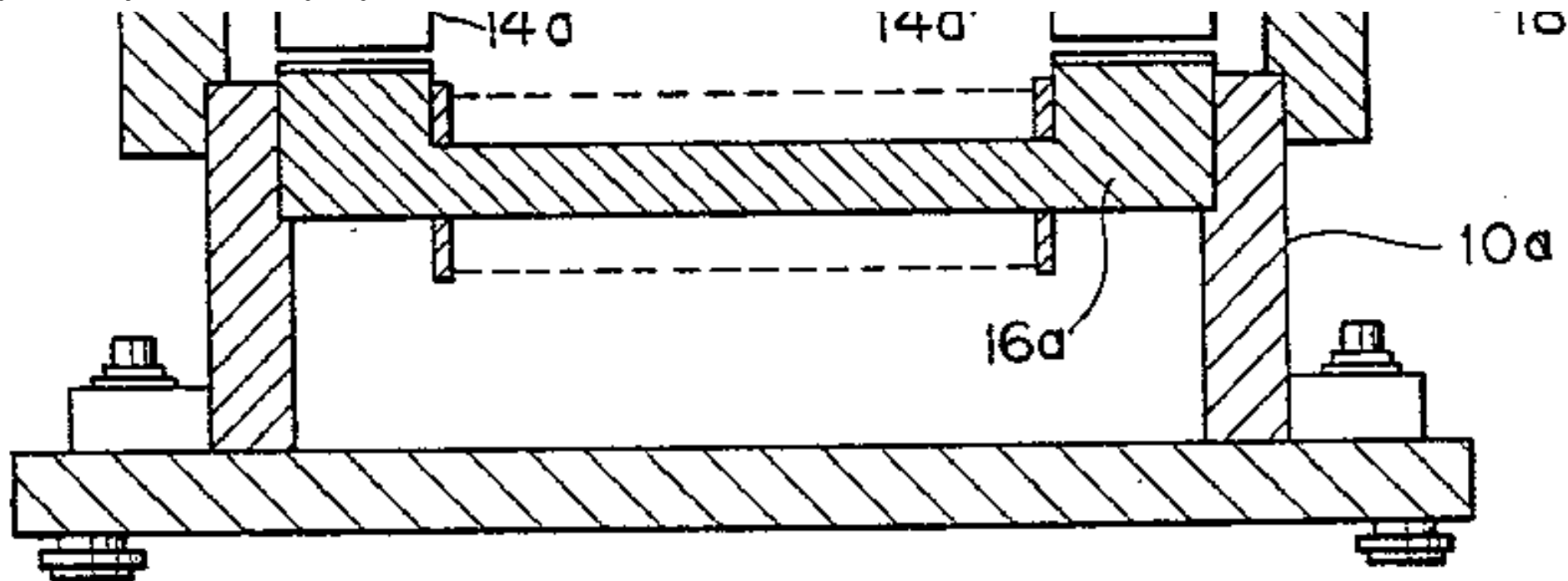
<a href="#">Initial Diagram</a>	
Sheet 1	<a href="#">fig.1</a>
Sheet 2	<a href="#">fig. 2</a>
Sheet 3	<a href="#">fig. 3</a>
Sheet 4	<a href="#">fig. 4A</a> <a href="#">fig. 4B</a> <a href="#">fig. 4C</a>
Sheet 5	<a href="#">fig. 4D</a> <a href="#">fig. 4E</a> <a href="#">fig. 4F</a>
Sheet 6	<a href="#">fig 4G</a> <a href="#">fig 4H</a>
Sheet 7	<a href="#">fig 5A</a> <a href="#">fig 5B</a>
Sheet 8	<a href="#">fig. 6</a>
Sheet 9	<a href="#">fig. 7</a>
Sheet 10	<a href="#">fig. 8</a>
Sheet 11	<a href="#">fig. 9</a>
Sheet 12	<a href="#">fig. 10A</a>
Sheet 13	<a href="#">fig. 10B</a>
Sheet 14	<a href="#">fig. 10C</a>

Sheet 15	<a href="#">fig. 11A/11B</a> <a href="#">fig. 11C/11D</a> <a href="#">fig. 11E/11F</a> <a href="#">fig. 11G/11H</a>
Sheet 16	<a href="#">fig. 12</a> PRIOR ART <a href="#">fig. 13</a> PRIOR ART
Sheet 17	<a href="#">fig. 14</a> PRIOR ART <a href="#">fig. 15</a> PRIOR ART
Sheet 18	<a href="#">fig. 16</a> PRIOR ART
Sheet 19	<a href="#">fig. 17</a> PRIOR ART









# Fig. 3

