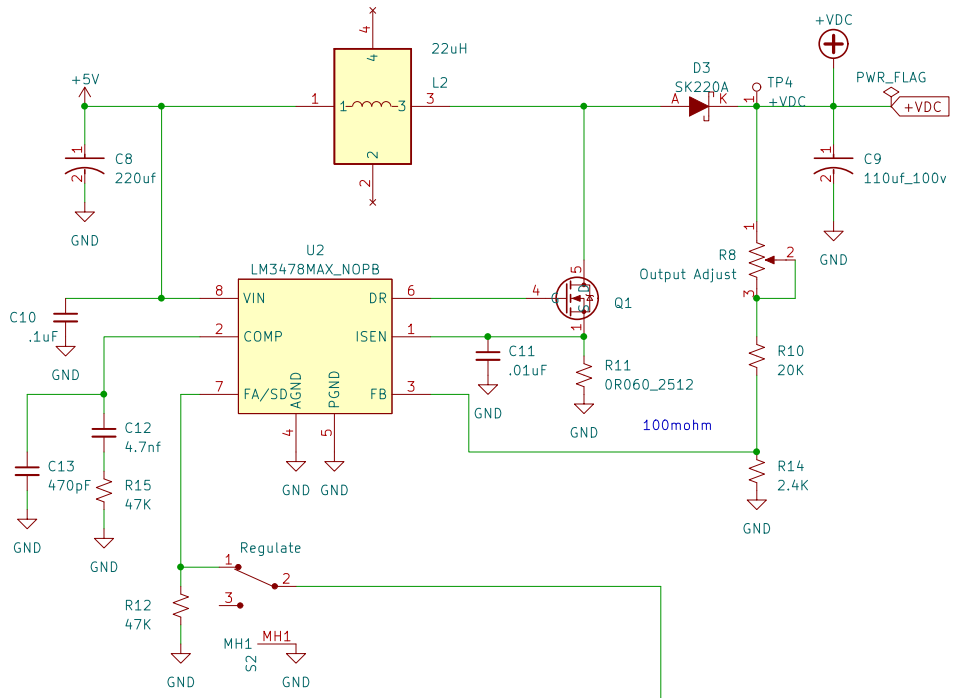
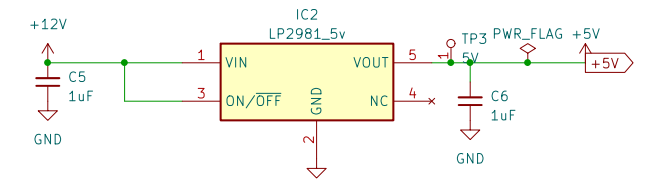
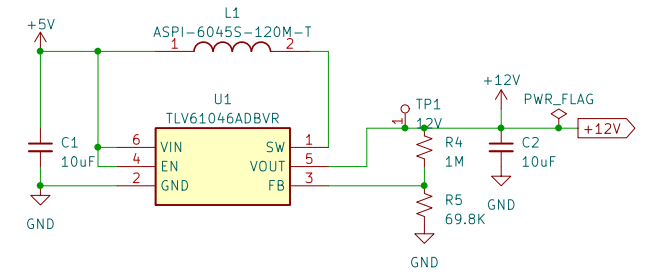


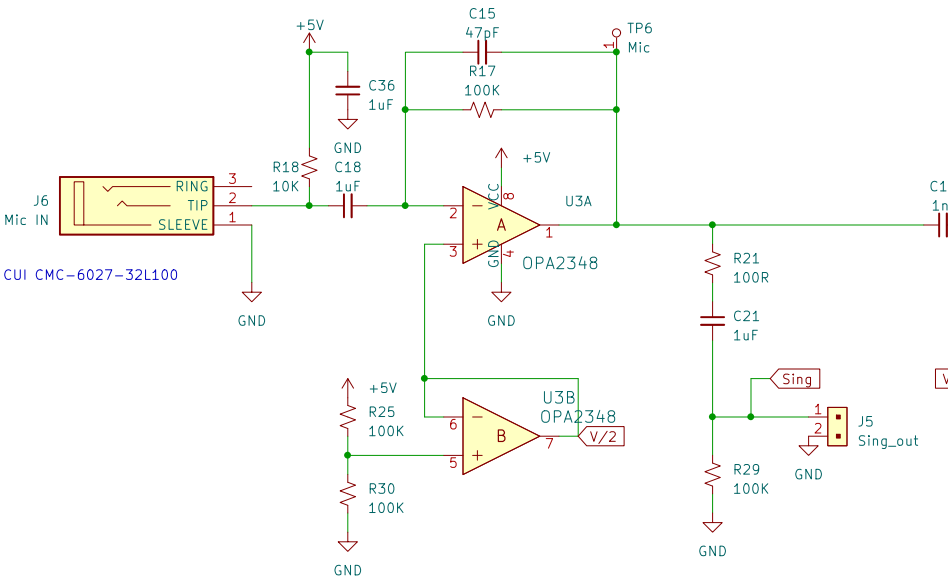
60V boost Regulator



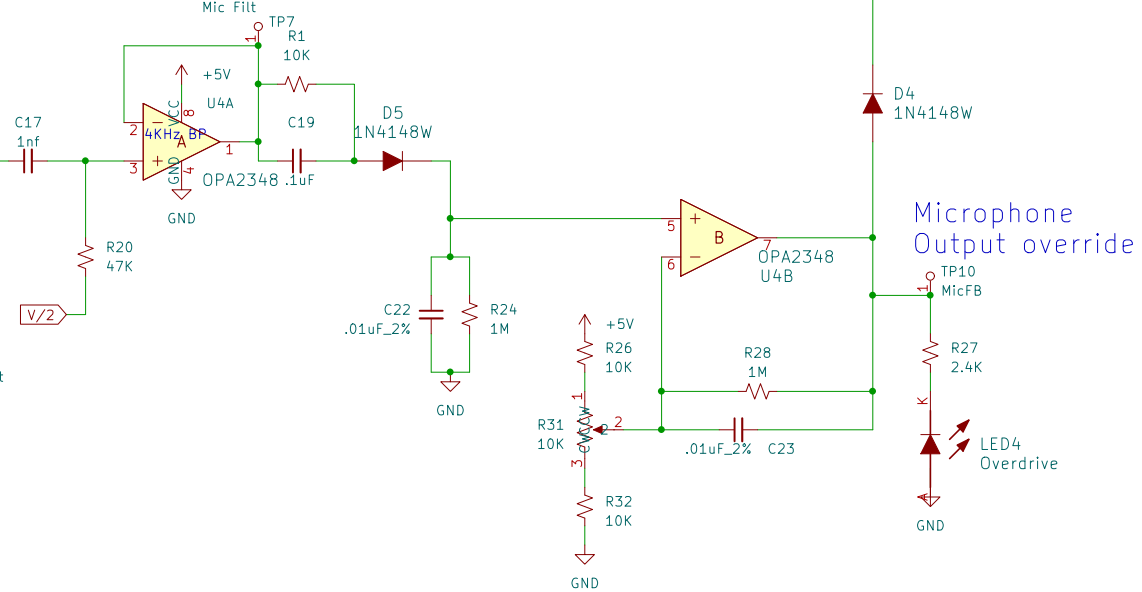
12V boost regulator



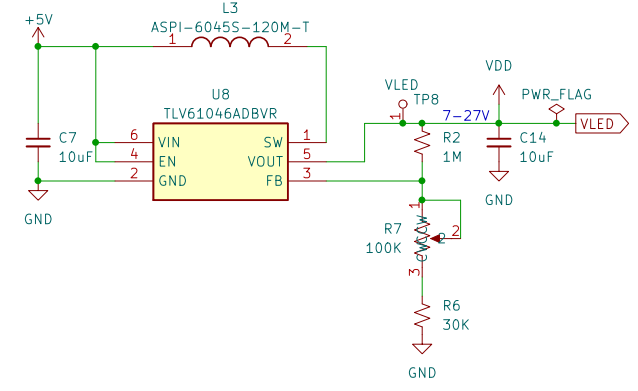
Microphone Preamp



7KHz Low Pass



LED boost regulator



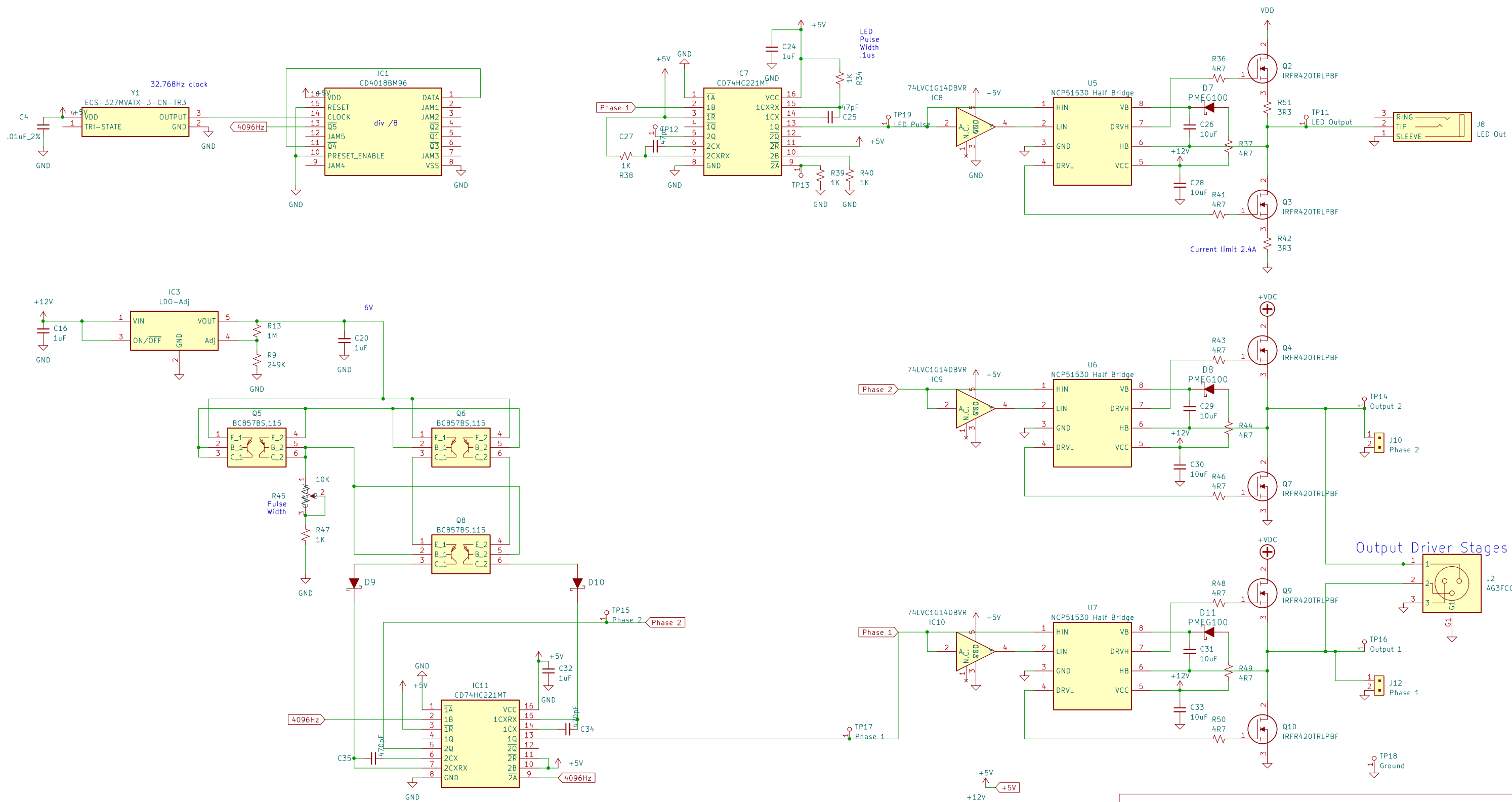
Output



File: Output.kicad_sch

E1
Hammond1455P1601
MH1 MH2 MH3 MH4

Sheet: /		File: PhryllGen1.1.kicad_sch	
Title: PhryllGen			
Size: B	Date: 2023-10-31	Rev: 1.1	
KiCad E.D.A. kicad 7.0.8		Id: 1/2	



Output Pulse Width Adjust

Caution:
 Pulse width controls output current.
 Peak current = pulse width x [+VDC max / Coil inductance]

Output Driver Stages