



INTERNATIONAL APPLICATION PUBLISHED UNDER THE PATENT COOPERATION TREATY (PCT)

<p>(51) International Patent Classification ⁵ : A61B 5/00</p>	<p>A1</p>	<p>(11) International Publication Number: WO 91/08703 (43) International Publication Date: 27 June 1991 (27.06.91)</p>
<p>(21) International Application Number: PCT/HU90/00081 (22) International Filing Date: 17 December 1990 (17.12.90) (30) Priority data: 6645/89 18 December 1989 (18.12.89) HU (71)(72) Applicants and Inventors: EGELY, György [HU/HU]; DUS, Magdolna [HU/HU]; Makkosi út 28, H-2092 Budakeszi (HU). (74) Agent: DANUBIA PATENT & TRADEMARK ATTORNEYS; Bajcsy-Zsilinszky út 16, H-1056 Budapest (HU). (81) Designated States: AT (European patent), AU, BE (European patent), BF (OAPI patent), BJ (OAPI patent), BR, CA, CF (OAPI patent), CG (OAPI patent), CH (European patent), CM (OAPI patent), DE (European patent), DK (European patent), ES (European patent), FI, FR (European patent), GA (OAPI patent), GB (European patent), GR (European patent), IT (European patent), JP, KR, LU (European patent), MG, ML (OAPI patent), MR (OAPI patent), MW, NL (European patent), NO, SD, SE (European patent), SN (OAPI patent), SU, TD (OAPI patent), TG (OAPI patent), US.</p>		<p>Published <i>With international search report.</i></p>
<p>(54) Title: APPARATUS AND METHOD FOR DETECTING EFFECTS INDICATING PHYSICAL STATE OF HEALTH AND FITNESS</p>		
<p>(57) Abstract</p> <p>An apparatus for demonstrating and measuring physical effects being in connection with the general state of health and fitness of human beings, comprising a rotor (3) arranged rotatably on a frame (11), of the mass of 0.1 and 2.0 g, more accurately 0.3 to 0.8 g, with at least one marking (19) on the edge being suitable for reading number of turns, wherein magnetic permeability is less than 50, furtheron optionally the rotor (3) and the frame (11) are connected to each other by a spring means.</p>		

FOR THE PURPOSES OF INFORMATION ONLY

Codes used to identify States party to the PCT on the front pages of pamphlets publishing international applications under the PCT.

AT	Austria	FI	Finland	ML	Mali
AU	Australia	FR	France	MN	Mongolia
BB	Barbados	GA	Gabon	MR	Mauritania
BE	Belgium	GB	United Kingdom	MW	Malawi
BF	Burkina Faso	GN	Guinea	NL	Netherlands
BG	Bulgaria	GR	Greece	NO	Norway
BJ	Benin	HU	Hungary	PL	Poland
BR	Brazil	IT	Italy	RO	Romania
CA	Canada	JP	Japan	SD	Sudan
CF	Central African Republic	KP	Democratic People's Republic of Korea	SE	Sweden
CG	Congo	KR	Republic of Korea	SN	Senegal
CH	Switzerland	LI	Liechtenstein	SU	Soviet Union
CI	Côte d'Ivoire	LK	Sri Lanka	TD	Chad
CM	Cameroon	LU	Luxembourg	TG	Togo
DE	Germany	MC	Monaco	US	United States of America
DK	Denmark	MG	Madagascar		
ES	Spain				

APPARATUS AND METHOD FOR DETECTING EFFECTS INDICATING PHYSICAL
STATE OF HEALTH AND FITNESS

5

10

Field of the invention

The invention relates to an apparatus and method for
detecting and measuring physical phenomena arising in the
direct environment of human body or parts thereof, showing a
15 correlation with general state of health, fitness and simul-
taneously with concentrating ability.

Prior art

In medical practice several methods using instruments have
been known, so e.g. measuring blood-pressure, EKG and electro-
20 encephalographic tests. These types of examination reflect the
function of one or more organs. For examining general physical
condition, reflex ability, quickness for solving some test
(e.g. pressing some button upon a flash of a lamp), or pupil
reflex used to be applied, in other cases electric conductiv-
25 ity of the skin or vital capacity have been tested. Each of
said examinations is restricted but on the observation of a
case taken at random, furtheron, correlation between the actu-

ally measured parameter and the charactersitcis intended to be measured could not be cleared unambiguously.

Disclosure of the invention

The aim of the invention is to develop a simple testing
5 method by using a cheap easily producible apparatus which delivers a direct information on general state and condition of health, fitness of people as well as their concentration ability well reflecting all the afore-mentioned features.

The invention is based on the recognition that upon the
10 proximity of human body e.g. the hand, in the surrounding space an effect inducing whirls arises which is able to put some liquid into a whirling motion.

This phenomenon can be demonstrated by strewing some in-
dicating substance onto the liquid. This physical effect
15 affects solid objects too, supposed, the object is of small mass, i.e. inertia is inconsiderable, at the same time it is arranged movably and rotatably.

In course of control tests we arrived at the conclusion that said effect cannot be replaced by artificially estab-
20 lished physical effects or fields of force (thermic effect, magnetic field, field of electrostatic forces etc.), none of the last mentioned yield the result as it might be achieved by the physical effect according to the invention.

We arrived at the recognition that the physical effect
25 according to the invention - although the nature thereof is unknown for us - in respect to the intensity of the torque or motion having been induced is staying in connection with individual natural endowments and the state in course of test-
ing, i.e. general conditions of health and fitness and con-
30 centrating ability.

We also arrived at the recognition in so far as torque or
mechanic motion raised by the body, limbs or members of the
body of a person tested can be numerically defined by reading
number of revolutions and can be advantageously used for de-
35 monstrating, numerical measurement and characterizing the effect of some favourable or unfavourable (disadvantageous) circumstance changing individual natural endowments, general physical conditions or fitness of the person tested.

Accordingly, the invention relates to an apparatus for indicating and measuring the physical effect being in connection with general state of health and fitness of human beings; the most simple embodiment of the apparatus according to the invention consists of a rotor having been arranged rotatably on a frame, the mass of the rotor amounts to 0,1-2,0 g, more accurately 0,3-0,8 g, while its relative magnetic permeability is less than 50 and at least one marking is formed on the surface or flange thereof.

With a more complicated embodiment of the apparatus the rotor is enclosed by a stator in form of a cylinder jacket, the part of the stator - forming a circular arc of 160-200° - is a block made of metal, while the remaining part is a window made of a non-metallic material provided with an airgap.

Expediently relative dielectric coefficient of the rotor is greater than 2,5.

Rotor is made expediently of paper or some synthetic material.

Expediently the relative magnetic permeability of the rotor is less than 1.

The rotor may have the shape of a disc, cross or star, it is considered as most advantageous, if it is formed as means with lightened parts, e.g. the shape of a spoked wheel.

With a preferred embodiment of the rotor on the edge of the spoked wheel there is a mantle of the shape of a cylindrical jacket, with which generatrices are running parallel with the axis.

With another preferred embodiment of the rotor it consists of several coaxial discs.

The rotor is arranged on the axis by means of the hub-part arranged centrally on the rotor and so, in so far as the hub-part is lined with a calotte-shaped carrier made of some hard material, e.g. agate, and bears up against therethrough onto the axis.

A further possibility lies in suspending by means of a torsional spring or a filament. Strained hair or string suspension widely used in geodesical measuring apparatuses or galvanometers represents a reliable solution.

Preferably specific wieght of the block amounts at least to 7.

Relative magnetic permeability of the material of the block amounts to preferably to at least $2,10^4$.

5 It is considered as advantageous, if the block is double-walled with a cavity in between, filled with some filler through the filling means therein, e.g. with water, oil or sugar.

10 With a preferred embodiment of the cavity of the block, the cavity is subdivided into cavity-parts by means of lamellae.

With a most efficient embodiment of the appartus according to the invention, circumferentially on the edge of the rotor in one or more rows below each other there are arbors formed, 15 directed to the stator and on the inner wall of the block, in the height of the rotor said arbors are directed to the rotor, wherein arbors of the rotor are arranged between the arbor-rows of the block and vice versa.

20 With another preferred embodiment on the inner wall of the block, in the height of the rotor there is a recess formed (or a plurality of recesses lying below one another) while the edge of the rotor penetrates into said recess(es).

For measuring torque between the rotor and the frame a spring, e.g. a torsional filament is arranged. For reading the 25 deflection of the rotor from its neutral position preferably optical means, e.g. a scale or a code-disc applied to the rotor can be used.

Preferably the apparatus can be provided with a revolution counter, too, with a preferable embodiment thereof the marking 30 or code disk is to be found on the rotor, if the rotor is made of some transparent material and there is one (are more) spot-like or strip-shaped markings impermeable to light, while with opaque rotors one or more perforations are to be found and below the path of rotation of said perforations there is a 35 photodiode with a pulse-counter, processor and display connected therewith.

Accordingly, our invention relates to a method fopr demonstrating and measuring physical effects arising in the

proximity of a human body or a member of body of the person tested being in connection with the general state of health and fitness; the essential feature lies in that the apparatus containing a non-magnetic rotor having been arranged rotatably
5 on a frame, is set up on a place being free of draught and vibration, thereafter a member of the person to be tested, e.g. the hand is placed near to the apparatus, at léeast in a distance of 8 cm, kept there for at least 4 to 5 minutes, simultaneously reading constant number of revolutions of the
10 rotor.

It becomes possible to proceed so, in so far as we repeat measuring the person tested for a longer period and by comparing results having been gained on different occasions we conclude on the fitness, fatigue or even disease.

15 We may proceed so, in so far as the person tested undergoes some cure (physical or mental invigorating cure), meanwhile results of measurement according to the invention indicate progress and success of the cure.

With a preferred mode of realization of the method
20 according to the invention a plurality of persons are examined parallel and on basis opf measuring data we may conclude on persons with increased concentrating ability.

The invention will be described in detail by means of a preferred embodiment, with reference to the drawings enclosed,
25 wherein:

Figure 1 is the view of a preferred embodiment of the apparatus according to the invention, showing partly the window-part,

Figure 2 is the sectional view of the suspended rotor,

30 Figure 3 view of the rotor with jacket and arbors,

Figure 4 a further possible embodiment of the rotor with several axial discs,

Figure 5 cavity of the block and the embodiment with the cavity subdivided with lamellae,

35 Figure 6 fitting of the rotor according to Figure 4 to the block,

Figure 7 fitting of the rotor according to Figure 3 to the block,

Figure 8 schematical view of a possible solution of the revolution-counter.

As it becomes obvious from figure 1, the apparatus 20 consists of the rotor 3 arranged on the frame 11 and the enclosing stator 1. Essentially the con-
5 consists of the rotor 3 arranged on the frame 11 and the enclosing stator 1. Essentially the frame 11 is a shaft 2 arranged in the socket 21, on the top of the shaft the rotor 3 is arranged in a rotatable way. Stator 1 encloses the rotor in form of a cylinder jacket, while in half-part of the cylinder-jacket the block 7 forms the stator, the other part is the
5 window 8. In the plane of the rotor 3, on the window there is an airgap 6, surrounded by the frame 10. In the centre of the rotor there is the hub 4, therethrough the rotor 3 is bearing up against the shaft 2.

The apparatus 20 can be made without the stator 1, in this
15 case it is most sensitive to external influences, so draught, it can be used under special conditions only and on special places.

Block 7 of the stator 1 should be made of some metal, possibly of any material with a large specific weight, so iron
20 or lead, preferably the block is some magnetizable material, e.g. iron, while the window is made of some synthetic material, preferably plexiglass. If the whole cylinder jacket, i.e. the block of the stator 1 is made of metal, sensitivity of the apparatus is minimal, only people with high-grade
25 ability of exerting some effect will be able to produce some motion, frequently without success. The situation is the same, when entirety of the stator 1 is formed by the window 8. In case, if a stator is used, formation of the airgap 6 is imperative, as without the airgap the rotor 3 will deflect to any
30 direction, but no rotary motion is taking place. Increasing dimension of the airgap 6 improves sensitivity, at the same time disturbing effects become possible. Optimal solution lies in the air-gap 6 having been cut crosswise in the window 8, lying in the height of the rotor 3 and enclosed by the frame
35 10.

By increasing wall-thickness of the block by 10 to 20%, sensitivity of the apparatus can be increased, however, it proves effectual only up to a wall-thickness of 8-16 mm. With

double-walled hollow blocks 7 cavity 17 does not exert any direct influence on results, in this case thicknesses of the two walls of the block 7 are summarized. Cavity 17 is provided with filling means 9. If the cavity 17 is filled with some
5 filler, e.g. water, oil or sugar, sensitivity can be increased by 10 to 20%.

Rotor may be prepared of paper or any synthetic material. The requirement lies in that it should be properly light with a low inertia, at the same time properly stiff and showing
10 proper retentivity.

The rotor must not be magnetic or magnetizable. As it is to be seen in figure 1, the rotor 3 is a wheel connected by spokes 12 to the hub 4. From the point of view of obtainable number of revolutions synthetic material seems to be more
15 favourable, than paper. In such a manner using PVC, by 20% better results can be achieved, than with paper, inspite of the fact that the rotor made of PVC is heavier, than that made of paper.

According to experiences size of the rotor is to be in-
20 creased above a limit value, in order that rotating effect should have proper torque, i.e. a properly dimensioned power trasmitting arm.

Bending of the flange delimits increasing the diameter of the rotor, this can be counterbalanced by increasing thick-
25 ness, however this results in increase in weight and friction. Diameter of the apparatus 20 will be restricted by the fact, too, that it could be used as comfortable means. According to our experiments, when using a PVC rotor, practically a diameter of the rotor of 7 to 8 cm proved to be the best. Weight
30 of the rotor may amount to 0,1-2 g the most, preferably 0,3 to 0,8 g.

In figure 2 a preferable embodiment is shown, being suitable for decreasing friction and for increasing sensitivity. In the centre of the rotor 3 the hub 4 is inserted which is
35 elevated above the plane of the rotor 3 and comes down in a bell-like manner onto the shaft 2, accordingly stable suspension is assured for the rotor 3. Preferably the hub 4 is lined with a hard material, e.g. a carrier 5 made of agate and

fits with its calotte-shaped surface to the peak of the shaft
2.

Figure 3 illustrates another possible embodiment, with which
a wide cylinder-jacket is arranged circumferentially on the
5 edge of the rotor 3, forming the mantle 18 hanging down from
the spoked wheel. As it becomes obvious from figure 3, spokes
12 are not unconditionally planar, in this case they form
expediently a conical mantle having the hub in its peak.

Obtainable number of revolutions can be further increased,
10 if on the circumference of the edge of the rotor 3 one or more
arbors 13 (in the latter case arranged in rows next to each
other) are formed, directed to the stator 1. Size of the
arbors 13 amounts expediently to 3 to 4 mm, while the angle of
vertex (cuspidity) must not exceed 15°.

15 According to the example detailed here, the rotor is
formed with a 7,5 cm diameter, the size of the mantle 18
equals preferably to 2-3 cm, lying parallel with the diameter.
Simultaneous effect of the mantle 18 and the arbors 13 in-
crease obtainable number of revolutions by about 25-30%, that
20 means that the apparatus is able to respond. By using 32 pcs
of arbors within a circle, an improvement of 25% can be
already achieved, while with 64 arbors 30% improvement becomes
possible. It is not worth while to form arbor-rows more, than
five, as no surplus-effect can be achieved, optimally three
25 rows seem to be the best.

With another preferred embodiment the rotor 3 is composed
of a plurality of discs or wheels with spokes 12, which are
arranged axially, one below the other on the properly extended
hub 4. Similarly to the previously described embodiment, edge
30 of said discs is also provided with the arbors 13. With a
rotor 3 consisting of three discs and considered as an optimal
solution, number of revolutions is by 10% higher, than with
one single disc. It seems to be expedient to use discs with
identical diameters to be arranged parallel with each other in
35 equal mutual distances. According to our experiences having
been gained in course of experiments, change in the latter
factors does not exert any meritory effect on the result.

Application of the rotor with a plurality of discs does

not appear merely in increased number of revolution, rather in the improved stability of the apparatus. Possible disturbing effects, as draught, can be far better eliminated by using the aforementioned embodiment. Number of revolutions is rendered
5 stable, function of the apparatus 20 becomes more stabilized, too.

Figures 6 and 7 propose further solutions for increasing number of revolutions and improving sensitivity. Essential feature of both solutions lies in that the stator 1, more
10 accurately the block 7 thereof will show some advantageous formation on the inner wall, in the height of the rotor 3. In figure 6 a multi-disc rotor 3 as illustrated already in figure 4 is to be seen, having a block 7, on the inner wall of which recesses 22 were formed, the edge of the rotor 3 extends in
15 said recesses. Even with a single-disc rotor 3 it is worth while to form the recesses 22. In this case the recess 22 receiving said single-disc rotor is enclosed on both sides by one or two further recesses each.

In this case the hub 4 is not bearing up against the shaft
20 2, but it is suspended on the torsional filament 23. Practically this solution is free of friction and it is well suitable for the display of trifle moments. Of course, the shaft 2 can be replaced by another filament. Thereby a strained structure can be constructed.

25 Referring now to figure 7, rows of arbors of the rotor 3, provided with the mantle 18 - as already seen in figure 3 - are fitting in between the similar arbors 13 on the inner wall of the block facing the rotor, in course of the rotary motion rows of arbors are passing between one another. Aforementioned
30 favourable effect of the arbors 13 asserts itself fully by the virtue of the advantageous formation of the block 7.

As an expedient development of the stator 1 represents a subdivision of the cavity 17 by means of the lamellae 16
(figure 5). In this case separate filling means 9 are to be
35 provided for for every single part within the separated cavity 17. Preferably, number of lamellae 16 makes out four, it is not worth while to divide the cavity in parts exceeding five.

Supposing a 7 to 8 cm diameter of the rotor, cylindrical

height of the stator amounts expediently to 10 cm. By doubling the height of the stator, 100 percentual increase in number of revolutions can be achieved, at the same time dimensions and manipulation of the apparatus 20 will be influenced negatively.

Sign 19 on the rotor, which might be a coloured strip or a spot, facilitates reading of r.p.m. The equipment can be easily completed with any type of automatic revolution counter known in itself. A possible arrangement is shown in figure 8.

10 If the rotor 3 is made of some transparent material, the sign 19 on the rotor 3 is a covered opaque section on the edge of the rotor 3. In contrast to that if the rotor 3 is made of some opaque material, the sign 19 appears as a perforation. The photodiode having been arranged below the rotor 3 detects

15 the change in light resulting from the travel of the sign 19, said change will be displayed by the connected pulse-counter, processor and display, indicating and measuring number of revolutions. (Counter of revolution does not require any light source, as the light on the place of testing is sufficient for

20 activating the photodiode). If the edge of the rotor 3 carries more, than one sign 19, automatic measurement and display can be well used for measuring fractional revolutions.

By using the modifications, as described in connection with examples, maximal r.p.m. can be achieved with the apparatus.

25 Increasing the value of maximal revolutions per minute simultaneously widens the circle of persons, the proximity of which puts the apparatus into motion, at all. Most simple embodiment of the apparatus 20 is able to yield a value of 6 to 8 r.p.m. in such a manner at the majority of the persons

30 tested not even one single revolution can be achieved. By introducing different improved versions of the stator 1 and the rotor 3, respectively, peak of revolutions can be increased quite up to thirty and the majority of the persons tested - supposedly being in a good health - may release at

35 least one revolution.

Application of the method according to the invention will be detailed by means of some examples.

Example 1

Examination is performed by means of the apparatus, as seen in figure 1, containing a single-disc rotor 3 with a diameter of 7,5 cm and a weight (mass) of 0,7 g. Neither filler, nor heightening of the cylinder were used with the stator 1.

Apparatus 20 was set up at the place of testing and we observed it for 5 to 10 minutes. Rotor 3 was in stillstand.

After having approached the outside of the block 7 with a body made of lead and having a considerable mass and keeping it next to the apparatus for 4 to 5 minutes, no change could be observed. Similarly, no change could be observed by using an iron body (a dumb-bell) or a heated iron ball.

We approached the block 7 of the stator and the window 8 from all sides with a rubber-glove filled with hot water, neither rotation, nor motion could be observed.

No result could be achieved, when specimens were brought into contact with the outer part of the block 7, or - in case of cold specimens - with the window 8 made of plexiglass.

In the proximity of the apparatus 20 a strong electromagnetic field was induced by means of a solenoid, however, rotation of the rotor 3 could not be achieved by any means.

After having introduced an air-current, shot vigorously into the inside of the apparatus 20 through the airgap 6, the rotor 3 tilted in some direction or deflected, possibly it made one turn, but after having ceased blowing, the rotor returned into stillstand.

Example 2

By using the embodiment of the apparatus 20 as specified in example 1, we tested about 1600 persons for collecting statistical data. The group of persons tested included people of different age, profession and educational level in an equal proportion. Prior to testing, state of health and fitness were controlled by a medical specialist, partly by ocular inspection, on basis of thermometer records, in several cases by measuring blood-pressure.

On basis of subjective opinion, the persons tested reported on their diseases and momentary condition of health.

Prior to testing we set up the apparatus on a place being

free of draught and vibration, after every 10 to 15 tests we controlled the arrangement for 5 minutes each.

5 Tests were performed so, as the person to be tested was sitting opposite to the window 8 of the stator of the apparatus, reaching out his/her arm to the other side of the apparatus and bending his/her hand at the wrists, simultaneously putting the bent fingers around the block 7. As for the results, according to experiences it was quite neutral, whether he/she touched the apparatus or held the hand next to
10 it.

Based on 1600 tests the following experimental scale could be observed:

- 0 turns: in case of serious illness or considerable fatigue, deconcentration (scattered attention)
- 15 0 to 2 turns: sleepiness in the morning, lack of sleep, some disease in the initial stage
- 2 to 4 turns: fatigue, effect of fronts, inferior ability of concentration
- 4 to 6 turns: average condition of health
- 20 6 to 10 turns: peak condition in dependence of individual characteristics
- 10 to 16 turns: after a long rest, the state of full concentration
- 16 to 20 turns: exceptionally good conditions, individual
25 characteristics and ability of concentration surpasses the average
- above 20 turns: extraordinary abilities, mostly infrequent physical and mental features.

Highest value having been measured in course of examination was 28, tests were repeated with the person yielding this
30 value, the result was not erroneous at all, in a fully relaxed state the aforementioned value could be reproduced without exception.

Example 3

35 By using the version of the apparatus 20 according to Example 1 and applying the method in accordance with Example 2, we performed tests in two classes of a secondary school, totally with 45 persons, boys and girls of the age of 15 to 17

years. Tests were performed for three weeks, three times a week, first in the morning, when arriving at school, next after lunch. Children having a flu or headache or with similar complaints were left out. Pupils with long-lasting illnesses were not subjected to the tests, although they attended the school.

Results obtained were as follows:

0 turn with two persons
1 to 3 turns with five persons
10 4 to 5 turns with 25 persons
6 to 7 turns with 11 persons
11 turns with one person
16 turns with one person.

Results were evaluated at the end of the third week, commonly with teachers and pupils. The girl with sixteen turns was a mediocre pupil, but taking regularly part in gymnastic competition of first class, eleven turns were achieved by a boy being active in computer programming on a semiprofessional level. Out of the 45 persons among the 13 children yielding 20 turns above five, proportion of good scholars was not higher, than among the 32 persons with turns under five, among the 13 persons all the individuals could be found, which gave a better result, than the mediocre level, achieving it with inconsiderable diligence and work. Although in the group with 25 turns less, than six, pupils with very good marks could be found; those children, who exerted a significant effect on their environment and their classmates, that means who were considered as personalities both by their classmates and teachers, reached at least six turns.

30 Example 4

Tests were performed in a home for pensioners under steady medical supervision; 37 persons were subjected to tests, in the age between 58 and 84 years, for five months and once a week, using the apparatus and method, as described in previous 35 examples.

In course of initial measurements we obtained 1 to 3 turns with six persons, with the rest none. Conversations with older people and our interest shown towards them resulted in a

positive effect, with the majority, i.e. with twenty-eight persons 1 to 3 turns could be measured on occasion of the second-third test. Simultaneously, on basis of medical examinations less and greater complaints and illnesses were treated with medicaments, i.e. earlier treatments were substituted by new medicaments or therapeutic methods. With sixteen aforementioned persons measurable values could be increased from 1 to 2 turns to 3 to 4. With further twelve persons no kind of somatic (physical) motifs could be observed, merely mental symptoms. These persons received medicaments with "placebo" character, thereafter turns increased from 1 to 2 to 3-4 turns. Further six persons were similarly treated with placebo, however measuring results did not improve, the more, with three persons they fell back permanently to zero. In course of more thorough examinations with six persons earlier not recognized somatic diseases could be detected. With progress of necessary treatments our measuring results showed an improvement of 2-3 turns being characteristic for the majority after three-five measurements. With three persons a permanent zero-level of turns could be observed, later we were informed that they were of failing health due to serious deterioration by their age.

Example 5

We performed a series of tests in a psychologic club, using the earlier specified apparatus and methods. In this club mainly meditation and relaxation were taught and practiced.

For experimental purposes with newly joining 33 persons application of the apparatus according to the invention was introduced. A group consisting of eighteen persons - as control group - met the measuring method only at the beginning of the training, while another group of fifteen persons used the process according to the invention for self-control in course of meditation and relaxing practice.

First measurements showed that 33 persons produced turns between 2 and 6, distribution of individual characteristics showed essentially corresponding statistic distribution with both the experimental and the control group.

Training program lasts averagely six weeks each. According to the opinion of the club leaders members of the experimental group aquired the abilities obtainable on the fifth or sixth week already at the end of the third week. At the same time,
 5 the third week our tests gave the following results:

1 person	21 turns
3 persons	16 to 20 turns
7 persons	10 to 16 turns
4 persons	7 to 9 turns.

10 Members of the control group finished the training in the fifth-sixth week and reached the desired ability of meditation. Relating data are as follows:

2 persons	19 turns
9 persons	10 to 17 turns
15 7 persons	6 to 9 turns.

In course of common evaluation we arrived at the conclusion, in so far as the members of the experimental group were able to control the development of their capabilities, in such a manner their practices became more conscious and more
 20 concentrated. As a consequence improvement was quicker and more succesful.

Advantages of the invention can be summarized as follows.

The apparatus is simple and cheap, a properly sensitive version can be realized even with a simple embodiment:

25 Operation does not require external energy sources, it is portable and can be set up without any difficulty. Putting into operation takes place quickly.

The apparatus yields well definable numerical values characterizing health and fitness.

30 In case of regularly performed measurings with one and the same person, success and efficiency of some cure or training can be controlled.

At the same time striking changes appearing in results of regularly performed measurings may call the attention to some
 35 physical or mental deterioration or impending disease.

In case of measurings having been performed in a circle of several persons, results may call the attention to exhausted and sick persons, who require more attention to extraordinari-

ly talented persons with increased ability for concentration, having favourable physical and mental natural endowments, who may be excessively successful on certain fields (result may be used as a factor in talent spotting).

C L A I M S

1. Apparatus for demonstrating and measuring physical effects bein in connection with the general state of health and fitness of human beings, **characterized** by comprising a rotor (3) arranged rotatably on a frame (11), of the mass of 0,1 and 2,0 g, more accurately 0,3 to 0,8 g, with at least one marking (19) on the edge being suitable for reading number of turns, wherein magnetic permeability is less than 50, furtheron optionally the rotor (3) and the frame (11) are connected to each other by a spring means.

2. Apparatus as claimed in claim 1, **characterized** in that around the rotor (3) there is a stator (1) of the shape of a cylindrical jacket comprising a block (7) made of metal and a window (8) made of a non-metallic material and provided with an airgap (6), wherein said block (7) forms a circular arc of the stator (1) at an angle of 160° to 200°.

3. Apparatus as claimed in claim 1 or 2, **characterized** in that relative dielectric constant of the rotor (3) is higher than 2,5.

4. Apparatus as claimed in any of the claims 1 to 3, **characterized** in that the rotor (3) is made of paper.

5. Apparatus as claimed in any of the claims 1 to 3, **characterized** in that the rotor (3) is made of some synthetic material.

6. Apparatus as claimed in any of the claims 1 to 5, **characterized** in that magnetic permeability of the rotor is less than 1.

7. Apparatus as claimed in any of the claims 1 to 6, **characterized** in that the rotor is shaped as a lightened disc.

8. Apparatus as claimed in any of the claims 1 to 7, **characterized** in that the frame (11) comprises of a stand (21) and a shaft (2).

9. Apparatus as claimed in claim 7, **characterized** in that on the circumference of the edge of the rotor (3) a mantle (18) of the shape of a cylinder-jacket is arranged and the generatrices of which are parallel with the shaft (2).

10. Apparatus as claimed in any of the claims 1 to 6, **characterized** in that in the centre of the rotor (3) there is a hub (4) being lined with a carrier (5) made of some hard material, e.g. agate and has the shape of a calotte, while the rotor is bearing up against the shaft (2) with the intervention of the carrier (5) and the hub (4).

11. Apparatus according to any of the claims 2 to 10, **characterized** in that specific weight of the block (7) amounts to at least 7.

12. Apparatus as claimed in any of the claims 2 to 11, **characterized** in that relative magnetic permeability of the block (7) is at least $2 \cdot 10^4$.

13. Apparatus as claimed in any of the claims 2 to 12, **characterized** in that the double-walled block (7) is provided with filling means (9) and the cavity of the block is filled with some filler, so e.g. water, oil or sugar.

14. Apparatus as claimed in claim 13, **characterized** in that the cavity is subdivided into a plurality of independent parts by means of lamellae (16).

15. Apparatus as claimed in any of the claims 2 to 14, **characterized** in that circumferentially on the edge of the rotor (3) one or more arbors (13) are arranged, in the latter case in one or more rows below each other directed to the stator (1) and on the inner wall of the block (7), in the height of the rotor (3) facing the rotor (3), wherein the rows of arbors of the rotor (3) are arranged between the arbor-rows on the block (7) and vice versa.

16. Apparatus as claimed in any of the claims 2 to 14, **characterized** in that on the inner wall of the block (7) circumferentially, in the height of the rotor (3) recesses (22) are formed and edge(s) of the rotor (3) penetrate into said recess(es) (22).

17. Apparatus as claimed in any of the claims 1 to 16, **characterized** in that it is provided with a rotation-detector (display) known in itself, and so, that on the rotor (3) made of some transparent material one or more light-shutting-off spots or strip-like markings (19) are to be found, while on the opaque rotor (3) one or more perforations (19) are formed,

below the path of rotation of the markings (19) there is a light-sensitive photodiode, connected to a pulse-counter, a processor and a display unit.

18. Method for measuring and demonstrating physical effects appearing on body-parts being in connection with general conditions of health and fitness of human beings, by using the apparatus according to claims 1 to 17, **characterized** by placing the apparatus on a draught- and vibration free place, placing a member of the body of the person to be tested, e.g. the hand next to the apparatus (20) at least in a distance of 8 cm for a period of at least 4-5 minutes, thereafter reading the stabilized number of revolutions of the rotor (3) or deflection from its stillstand.

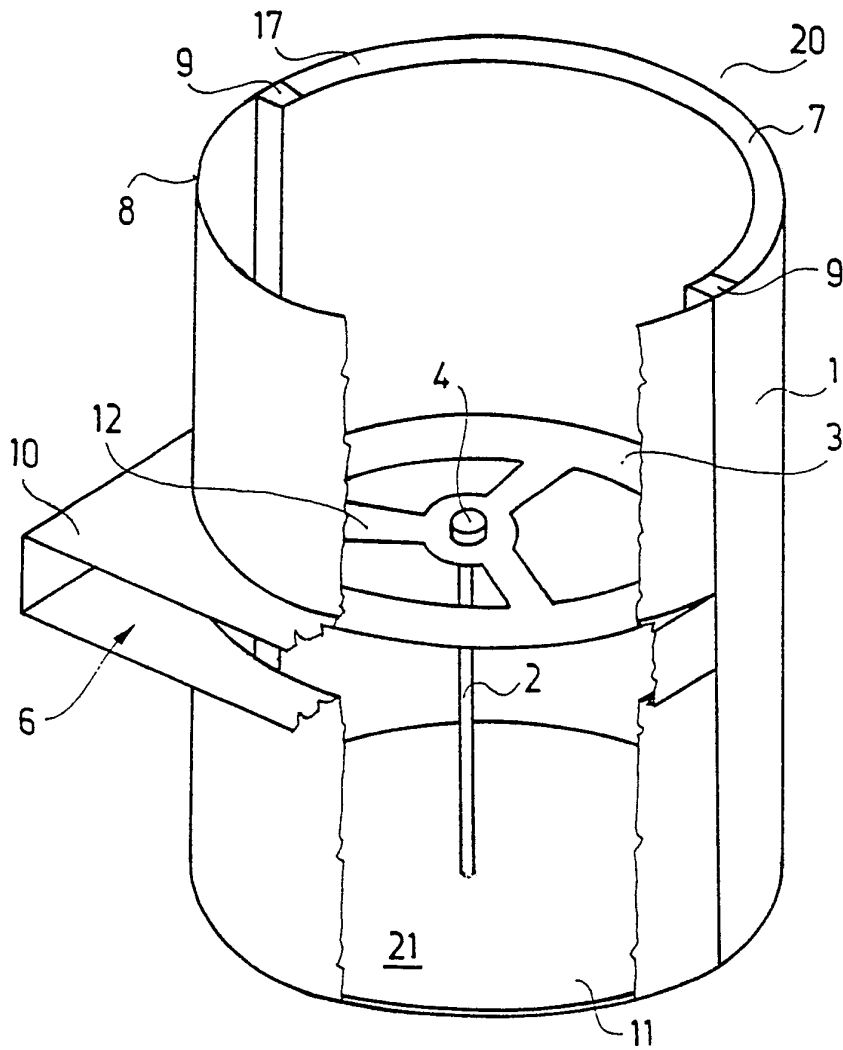


Fig. 1

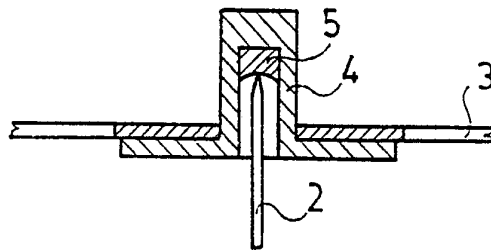


Fig. 2

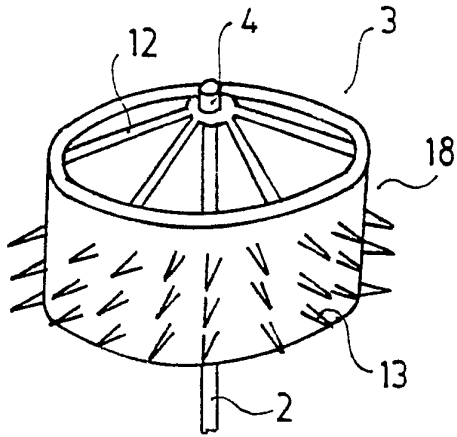


Fig. 3

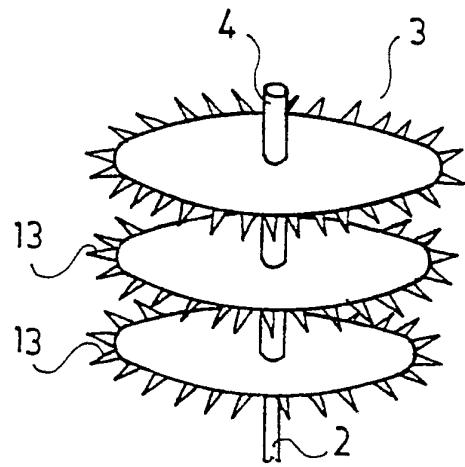


Fig. 4

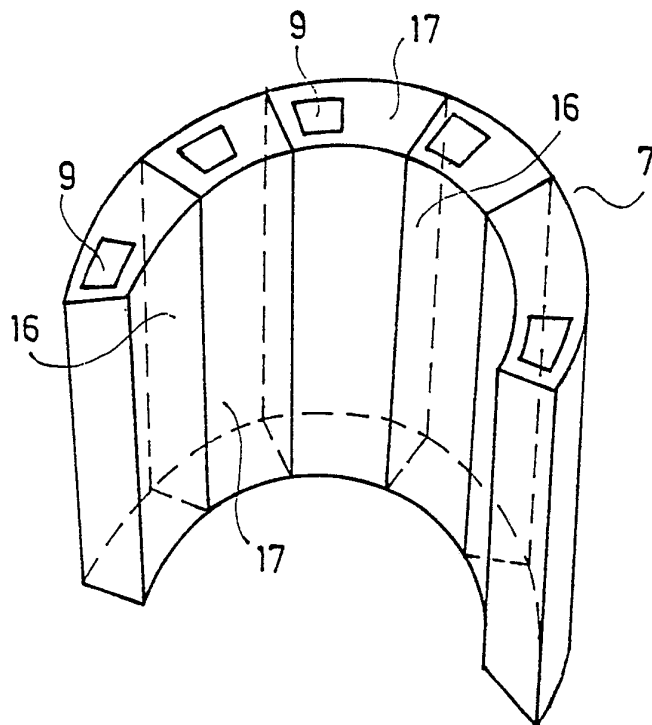


Fig. 5

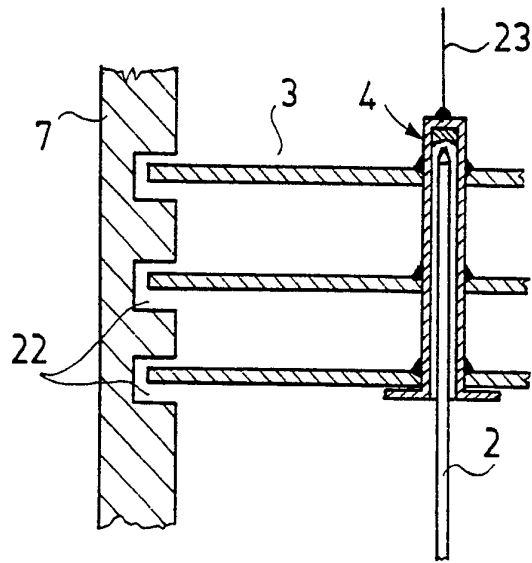


Fig. 6

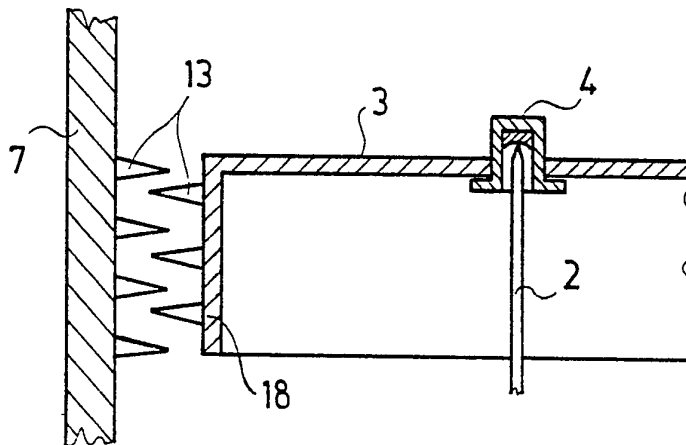


Fig. 7

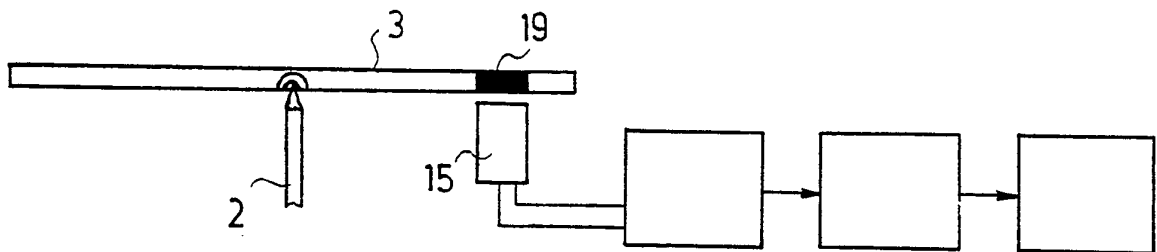
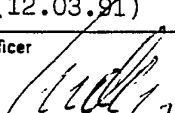


Fig. 8

INTERNATIONAL SEARCH REPORT

International Application No PCT/HU 90/00081

I. CLASSIFICATION OF SUBJECT MATTER (if several classification symbols apply, indicate all) ⁶		
According to International Patent Classification (IPC) or to both National Classification and IPC		
Int. Cl. ⁵ : A 61 B 5/00		
II. FIELDS SEARCHED		
Minimum Documentation Searched ⁷		
Classification System :	Classification Symbols	
Int. Cl. ⁵	A 61 B 5/00, 5/16 10/00; G 01 C 17/00, 17/06; A 63 H 33/00, 33/22, 33/40; G 01 P 3/00, 3/36	
Documentation Searched other than Minimum Documentation to the Extent that such Documents are Included in the Fields Searched ⁸		
III. DOCUMENTS CONSIDERED TO BE RELEVANT ⁹		
Category ⁹	Citation of Document, ¹¹ with indication, where appropriate, of the relevant passages ¹²	Relevant to Claim No. ¹³
A	US, A, 758 291 (F. ANSLEY) 26 April 1904 (26.04.04), see page 1, lines 42-55; fig. 1,2.	(1,2,7,8,15)
A	DE, C, 666 306 (A. NIELÄNDER) 15 October 1938 (15.10.38), see page 1, line 42 - page 2, line 2; fig. 1-3.	(1,2,7-9)
A	AT, B, 328 760 (RECTA MANUFACTURE D'HORLOGERIE) 12 April 1976 (12.04.76), see page 2, lines 54-55; fig. 3.	(1,8,10)
A	DE, A, 1 523 246 (SEQUENTIAL ELECTRONIC SYSTEMS) 10 April 1969 (10.04.69), see page 7, lines 15-20; fig. 1.	(1,7,17)
A	CH, A, 437 876 (EMILE HÜGI) 30 November 1967 (30.11.67), see column 2, lines 14-19, 21-28; fig. 1.	(1,7,17)

<p>⁹ Special categories of cited documents: ¹⁰</p> <p>"A" document defining the general state of the art which is not considered to be of particular relevance</p> <p>"E" earlier document but published on or after the international filing date</p> <p>"L" document which may throw doubts on priority claim(s) or which is cited to establish the publication date of another citation or other special reason (as specified)</p> <p>"O" document referring to an oral disclosure, use, exhibition or other means</p> <p>"P" document published prior to the international filing date but later than the priority date claimed</p> <p>"T" later document published after the international filing date or priority date and not in conflict with the application but cited to understand the principle or theory underlying the invention</p> <p>"X" document of particular relevance: the claimed invention cannot be considered novel or cannot be considered to involve an inventive step</p> <p>"Y" document of particular relevance: the claimed invention cannot be considered to involve an inventive step when the document is combined with one or more other such documents, such combination being obvious to a person skilled in the art.</p> <p>"&" document member of the same patent family</p>		
IV. CERTIFICATION		
Date of the Actual Completion of the International Search	Date of Mailing of this International Search Report	
22 February 1991 (22.02.91)	12 March 1991 (12.03.91)	
International Searching Authority	Signature of Authorized Officer	
AUSTRIAN PATENT OFFICE		

FURTHER INFORMATION CONTINUED FROM THE SECOND SHEET

V. OBSERVATIONS WHERE CERTAIN CLAIMS WERE FOUND UNSEARCHABLE ¹

This international search report has not been established in respect of certain claims under Article 17(2) (a) for the following reasons:

1. Claim numbers...18... because they relate to subject matter not required to be searched by this Authority, namely:

according to Art. 17(2)(b)(iv) PCT as this claim refers to a diagnostic method.

2. Claim numbers..... because they relate to parts of the international application that do not comply with the prescribed requirements to such an extent that no meaningful international search can be carried out, specifically:

3. Claim numbers..... because they are dependent claims and are not drafted in accordance with the second and third sentences of PCT Rule 6.4(a).

VI. OBSERVATIONS WHERE UNITY OF INVENTION IS LACKING ²

This International Searching Authority found multiple inventions in this international application as follows:

1. As all required additional search fees were timely paid by the applicant, this international search report covers all searchable claims of the international application.
2. As only some of the required additional search fees were timely paid by the applicant, this international search report covers only those claims of the international application for which fees were paid, specifically claims:
3. No required additional search fees were timely paid by the applicant. Consequently, this international search report is restricted to the invention first mentioned in the claims; it is covered by claim numbers:
4. As all searchable claims could be searched without effort justifying an additional fee, the International Searching Authority did not invite payment of any additional fee.

Remark on Protest

- The additional search fees were accompanied by applicant's protest.
- No protest accompanied the payment of additional search fees.

Anhang zum internationalen Recherchenbericht über die internationale Patentanmeldung Nr.

Annex to the International Search Report on International Patent Application No. PCT/HU 90/00081

Anne au rapport de recherche internationale relatif à la demande de brevet international n°.

In diesem Anhang sind die Mitglieder der Patentfamilien der im obengenannten internationalen Recherchenbericht angeführten Patentedokumente angegeben. Diese Angaben dienen nur zur Unterrichtung und erfolgen ohne Gewähr.

This Annex lists the patent family members relating to the patent documents cited in the above-mentioned International search report. The Austrian Patent Office is in no way liable for these particulars which are merely given for the purpose of information.

La présente annexe indique les membres de la famille de brevets relatifs aux documents de brevets cités dans le rapport de recherche internationale visé ci-dessus. Les renseignements fournis sont donnés à titre indicatif et n'engagent pas la responsabilité de l'Office autrichien des brevets.

Im Recherchenbericht angeführtes Patentdokument Patent document cited in search report Document de brevet cité dans le rapport de recherche	Datum der Veröffentlichung Publication date Date de publication	Mitglied(er) der Patentfamilie Patent family member(s) Membre(s) de la famille de brevets	Datum der Veröffentlichung Publication date Date de publication
US-A - 758291		US-A - 3585007	15-06-71
		US-A - 4069327	17-01-78
		US-A - 4151288	24-04-79
		US-A - 4226874	07-10-80
		US-A - 4307101	22-12-81
		IE-B - 36050	04-08-76
		US-A - 3932427	13-01-76
		US-A - 4022797	10-05-77
		US-A - 4024271	17-05-77
		US-A - 4027026	31-05-77
		US-A - 4053473	11-10-77
		US-A - 4069327	17-01-78
		US-A - 4070475	24-01-78
		US-A - 4137234	30-01-79
		US-A - 4137237	30-01-79
		US-A - 4151288	24-04-79
		US-A - 4154844	15-05-79
		US-A - 4221802	09-09-80
		US-A - 4226874	07-10-80
		US-A - 4293697	06-10-81
		US-A - 4293699	06-10-81
		GB-A - 1395929	29-05-75
		US-A - 4053473	11-10-77
		US-A - 4069327	17-01-78
		US-A - 4137234	30-01-79
		US-A - 4151288	24-04-79
		US-A - 4226874	07-10-80
		US-A - 4293697	06-10-81
		GB-A - 1395929	29-05-75
		AR-A1- 197080	15-03-74
		AR-A1- 197093	15-03-74
		AU-A1-39009/72	16-08-73
		BE-A1- 779775	24-08-72

Im Recherchenbericht angeführtes Patent- dokument Patent document cited in search report Document de brevet cité dans le rapport de recherche	Datum der Veröffentlichung Publication date Date de publication	Mitglied(er) der Patentfamilie Patent family member(s) Membre(s) de la famille de brevets	Datum der Veröffentlichung Publication date Date de publication
--	--	---	--

CA-A1- 949967	25-06-74
CH-A - 576478	15-06-76
CH-A - 578583	13-08-76
CH-A - 578584	13-08-76
DE-A - 2211454	05-10-72
DE-B2- 2211454	02-02-78
DE-C3- 2211454	19-10-78
DE-B1- 2265369	26-04-79
DE-C3- 2265369	24-03-88
DK-A - 3497/76	03-08-76
DK-B - 137645	10-04-78
DK-C - 137645	02-10-78
DK-A - 5802/78	22-12-78
DK-B - 139870	07-05-79
DK-C - 139870	08-10-79
DK-B - 144308	15-02-82
DK-C - 144308	12-07-82
EG-A - 10876	31-07-76
ES-A1- 400587	16-07-75
FI-A - 763443	30-11-76
FI-A - 791116	04-04-79
FI-B - 60393	30-09-81
FI-B - 60394	30-09-81
FI-C - 60393	11-01-82
FI-C - 60394	11-01-82
FI-B - 61308	31-03-82
FI-C - 61308	12-07-82
FR-B1- 2128505	26-12-75
FR-A - 1338169	21-11-75
FR-A - 1395929	29-05-75
FR-A - 1397436	11-06-75
FR-A - 1398426	18-06-75
FR-A - 551/76	17-09-76
FR-P- 164509	28-02-74
FR-B - 36050	04-08-76
IL-A0- 38821	29-10-72
IL-A1- 38821	23-05-75
IT-A - 1041101	10-01-80
JP-A2-50105664	20-08-75
JP-A2-50105665	20-08-75
JP-B4-52043872	02-11-77
JP-B4-52043873	02-11-77
JP-B4-53024422	20-07-79
JP-A2-53119867	19-10-78
JP-A2-53119868	19-10-78
JP-A2-53119869	19-10-78
JP-A2-54059275	12-05-79
JP-A2-57009765	19-01-82

Im Recherchenbericht angeführtes Patent- dokument Patent document cited in search report Document de brevet cité dans le rapport de recherche	Datum der Veröffentlichung Publication date Date de publication	Mitglied(er) der Patentfamilie Patent family member(s) Membre(s) de la famille de brevets	Datum der Veröffentlichung Publication date Date de publication
--	--	---	--

JF-B4-57032063	08-07-82
JF-B4-57042068	07-09-82
JF-B4-58007631	10-02-83
JF-B4-58011948	05-03-83
KE-A - 2625	28-05-76
MX-U - 6700	21-10-85
NL-A - 7203145	12-09-72
NL-B - 162073	15-11-79
NL-C - 162073	15-04-80
ND-B - 133196	15-12-75
ND-C - 133196	24-03-76
PH-A - 12207	29-11-76
PH-A - 12247	12-12-78
SE-A - 7412680	09-10-74
SE-A - 7610842	30-09-76
SE-B - 402288	26-06-78
SE-C - 402288	05-10-78
SE-B - 410103	24-09-79
SE-C - 410103	10-01-80
SE-B - 430689	05-12-83
SE-C - 430689	15-03-84
SG-A - 285/76	03-04-87
SG-A - 286/76	03-04-87
SG-A - 286/76	02-09-88
SU- D- 460628	15-02-75
US-A - 3932427	13-01-76
US-A - 4027026	31-05-77
US-A - 4053473	11-10-77
US-A - 4069327	17-01-78
US-A - 4137234	30-01-79
US-A - 4151288	24-04-79
US-A - 4226874	07-10-80
US-A - 4230865	28-10-80
US-A - 4293697	06-10-81
YU-A - 562/72	25-02-82
YU-A - 2318/78	25-02-82
YU-B - 36506	29-02-84
YU-B - 36507	29-02-84
ZM-A - 36/72	23-10-72
CY-A - 855	10-09-71
CY-A - 856	10-09-76
GB-A - 1338169	21-11-75
GB-A - 1397436	11-06-75
GB-A - 1398426	18-06-75
SG-A - 285/76	03-04-87
SG-A - 286/76	03-04-87
SG-A - 286/76	02-09-88
AR-A1- 197080	15-03-74
AR-A1- 197093	15-03-74
AU-A1-39009/72	16-08-71

see page 4

Im Recherchenbericht angeführtes Patent- dokument Patent document cited in search report Document de brevet cité dans le rapport de recherche	Datum der Veröffentlichung Publication date Date de publication	Mitglied(er) der Patentfamilie Patent family member(s) Membre(s) de la famille de brevets	Datum der Veröffentlichung Publication date Date de publication
--	--	---	--

BE-A1-	779775	24-08-72
CA-A1-	949967	25-06-74
CH-A -	576478	15-06-76
CH-A -	578583	13-08-76
CH-A -	578584	13-08-76
CS- P-	168580	29-06-76
DE-A -	2211454	05-10-72
DE-B2-	2211454	02-02-78
DE-C3-	2211454	19-10-78
DE-B1-	2265369	26-04-79
DE-C3-	2265369	24-03-88
DK-A -	3497776	03-08-76
DK-B -	137645	10-04-78
DK-C -	137645	02-10-78
DK-A -	5802778	22-12-78
DK-B -	139870	07-05-79
DK-C -	139870	08-10-79
DK-B -	144308	15-02-82
DK-C -	144308	12-07-82
EG-A -	10876	31-07-76
ES-A1-	400587	16-07-75
FI-A -	763443	30-11-76
FI-A -	791116	04-04-79
FI-B -	60393	30-09-81
FI-B -	60394	30-09-81
FI-C -	60393	11-01-82
FI-C -	60394	11-01-82
FI-B -	61308	31-03-82
FI-C -	61308	12-07-82
FR-A5-	2128505	20-10-72
FR-B1-	2128505	26-12-75
GB-A -	1338169	21-11-73
GB-A -	1395929	29-05-75
GB-A -	1397436	11-06-75
GB-A -	1398426	18-06-75
HK-A -	551776	17-09-76
HU- P-	164509	28-02-74
IE-B -	36050	04-08-76
IL-A0-	38821	29-10-72
IL-A1-	38821	22-05-75
IT-A -	1041101	10-01-80
JP-A2-50105664		20-08-75
JP-A2-50105665		20-08-75
JP-B4-52043832		02-11-77
JP-B4-52043833		02-11-77
JP-B4-53024422		20-07-78
JP-A2-53119867		19-10-78
JP-A2-53119869		19-10-78
JP-A2-53119869		19-10-78

Im Recherchenbericht
angeführtes Patent-
dokument
Patent document cited
in search report
Document de brevet cité
dans le rapport
de recherche

Datum der
Veröffentlichung
Publication
date
Date de
publication

Mitglied(er) der
Patentfamilie
Patent family
member(s)
Membre(s) de la
famille de
brevets

Datum der
Veröffentlichung
Publication
date
Date de
publication

JF-A2-54059275	12-05-79
JF-A2-57009765	19-01-82
JF-B4-57032063	08-07-82
JF-B4-57042068	07-09-82
JF-B4-58007631	10-02-83
JF-B4-58011948	05-03-83
KE-A - 2625	28-05-76
MX-U - 6700	21-10-85
NL-A - 7203145	12-09-72
NL-B - 162073	15-11-79
NL-C - 162073	15-04-80
NO-B - 133196	15-12-75
NO-C - 133196	24-03-76
PH-A - 12207	29-11-78
PH-A - 12247	12-12-78
PL- P- 91679	31-03-77
SE-A - 7412680	09-10-74
SE-A - 7610842	30-09-76
SE-B - 402288	26-06-78
SE-C - 402288	05-10-78
SE-B - 410103	24-09-79
SE-C - 410103	10-01-80
SE-B - 430689	05-12-83
SE-C - 430689	15-03-84
SG-A - 285/76	03-04-87
SG-A - 286/76	03-04-87
SG-A - 286/76	02-09-88
SU- D- 460628	15-02-75
US-A - 3932427	13-01-76
US-A - 4027026	31-05-77
US-A - 4049672	20-09-77
US-A - 4053473	11-10-77
US-A - 4069327	17-01-78
US-A - 4137234	30-01-79
US-A - 4151288	24-04-79
US-A - 4226874	07-10-80
US-A - 4230865	28-10-80
US-A - 4293697	06-10-81
YU-A - 562/72	25-02-82
YU-A - 5318/78	25-02-82
YU-B - 36506	29-02-84
YU-B - 36507	29-02-84
ZA-A - 7200774	25-10-71
ZM-A - 56/72	23-10-72
ZY-A - 855	10-09-76
ZY-A - 856	10-09-76
GB-A - 1038169	21-11-70
GB-A - 1797436	11-06-75
GB-A - 1398426	18-06-75
SG-A - 285/76	03-04-87
SG-A - 285/76	03-04-87

Im Recherchenbericht angeführtes Patent- dokument Patent document cited in search report Document de brevet cité dans le rapport de recherche	Datum der Veröffentlichung Publication date Date de publication	Mitglied(er) der Patentfamilie Patent family member(s) Membre(s) de la famille de brevets	Datum der Veröffentlichung Publication date Date de publication
--	--	---	--

SG-A - 286/76	02-09-88
US-A - 3905984	16-09-75
US-A - 3932427	13-01-76
US-A - 3950333	13-04-76
US-A - 3950353	13-04-76
US-A - 4018928	19-04-77
US-A - 4018931	19-04-77
US-A - 4022797	10-05-77
US-A - 4024271	17-05-77
US-A - 4027026	31-05-77
US-A - 4049672	20-09-77
US-A - 4053473	11-10-77
US-A - 4069327	17-01-78
US-A - 4070475	24-01-78
US-A - 4137234	30-01-79
US-A - 4137237	30-01-79
US-A - 4151288	24-04-79
US-A - 4154844	15-05-79
US-A - 4221802	09-09-80
US-A - 4226874	07-10-80
US-A - 4228291	14-10-80
US-A - 4230865	28-10-80
US-A - 4287198	01-09-81
US-A - 4293697	06-10-81
US-A - 4293699	06-10-81
US-A - 4307101	22-12-81
US-A - 3905984	16-09-75
US-A - 3932427	13-01-76
US-A - 3950333	13-04-76
US-A - 3950353	13-04-76
US-A - 4018928	19-04-77
US-A - 4018931	19-04-77
US-A - 4022797	10-05-77
US-A - 4024271	17-05-77
US-A - 4027026	31-05-77
US-A - 4049672	20-09-77
US-A - 4053473	11-10-77
US-A - 4069327	17-01-78
US-A - 4070475	24-01-78
US-A - 4137234	30-01-79
US-A - 4137237	30-01-79
US-A - 4151288	24-04-79
US-A - 4154844	15-05-79
US-A - 4221802	09-09-80
US-A - 4226874	07-10-80
US-A - 4228291	14-10-80
US-A - 4230865	28-10-80
US-A - 4287198	01-09-81
US-A - 4293697	06-10-81
US-A - 4293699	06-10-81
US-A - 4307101	22-12-81

Im Recherchenbericht angeführtes Patent- dokument Patent document cited in search report Document de brevet cité dans le rapport de recherche	Datum der Veröffentlichung Publication date Date de publication	Mitglied(er) der Patentfamilie Patent family member(s) Membre(s) de la famille de brevets	Datum der Veröffentlichung Publication date Date de publication
--	--	---	--

US-A - 4018931	19-04-77
US-A - 4053473	11-10-77
US-A - 4069327	17-01-78
US-A - 4137234	30-01-79
US-A - 4151288	24-04-79
US-A - 4226874	07-10-80
US-A - 4230865	28-10-80
US-A - 4293697	06-10-81
US-A - 4307101	22-12-81
US-A - 4069327	17-01-78
US-A - 4151288	24-04-79
US-A - 4226874	07-10-80
US-A - 4307101	22-12-81
US-A - 4226874	07-10-80
US-A - 4307101	22-12-81
US-A - 4307101	22-12-81
US-A - 4018928	19-04-77
US-A - 4022797	10-05-77
US-A - 4024271	17-05-77
US-A - 4049672	20-09-77
US-A - 4070475	24-01-78
US-A - 4137237	30-01-79
US-A - 4154844	15-05-79
US-A - 4221802	09-09-80
US-A - 4228291	14-10-80
US-A - 4287198	01-09-81
US-A - 4293699	06-10-81
US-A - 4137237	30-01-79
US-A - 4228291	14-10-80
US-A - 4293699	06-10-81
US-A - 4070475	24-01-78
US-A - 4154844	15-05-79
US-A - 4221802	09-09-80
US-A - 4287198	01-09-81
US-A - 4027026	31-05-77
US-A - 4137234	30-01-79
US-A - 4230865	28-10-80
US-A - 4293697	06-10-81
US-A - 4154844	15-05-79
US-A - 4221802	09-09-80
US-A - 4287198	01-09-81
US-A - 4230865	28-10-80
US-A - 4293697	06-10-81
US-A - 4228291	14-10-80
US-A - 4293699	06-10-81
US-A - 4221802	09-09-80
US-A - 4287198	01-09-81
US-A - 4287198	01-09-81
US-A - 4293697	06-10-81
US-A - 4293699	06-10-81

Im Recherchenbericht angeführtes Patent- dokument Patent document cited in search report Document de brevet cité dans le rapport de recherche	Datum der Veröffentlichung Publication date Date de publication	Mitglied(er) der Patentfamilie Patent family member(s) Membre(s) de la famille de brevets	Datum der Veröffentlichung Publication date Date de publication
--	--	---	--

DK-A - 3497/76	03-08-76
DK-B - 137645	10-04-78
DK-C - 137645	02-10-78
DK-A - 5802/78	22-12-78
DK-B - 144308	15-02-82
DK-C - 144308	12-07-82
FI-A - 763443	30-11-76
FI-A - 791116	04-04-79
FI-B - 60394	30-09-81
FI-A - 814156	23-12-81
FI-C - 60394	11-01-82
FI-B - 61308	31-03-82
FI-C - 61308	12-07-82
FI-B - 68617	28-06-85
FI-C - 68617	10-10-85
AU-A1-58903/73	06-02-75
BE-A1- 804144	28-02-74
CA-A1- 1045142	26-12-78
CY-A - 855	10-09-76
DE-A1- 2344779	14-03-74
DE-B2- 2344779	26-04-79
DE-C3- 2344779	27-05-81
FR-A2- 2199467	12-04-74
FR-B2- 2199467	28-01-77
GB-A - 1397436	11-06-75
HK-A - 552/76	17-09-76
IE-B - 38353	01-03-78
JP-A2-49075574	20-07-74
JP-B4-56001309	13-01-81
KE-A - 2626	28-05-76
NL-B - 187240	18-02-91
SG-A - 286/76	03-04-87
SG-A - 286/76	02-09-88
US-A - 3876647	08-04-75
US-A - 3897444	29-07-75
US-A - 3920822	18-11-75
US-A - 3975530	17-08-76
GB-A - 1397436	11-06-75
SG-A - 286/76	03-04-87
SG-A - 286/76	02-09-88
AU-A1-58903/73	06-02-75
BE-A1- 804144	28-02-74
CA-A1- 1045142	26-12-78
DE-A1- 2344779	14-03-74
DE-B2- 2344779	26-04-79
DE-C3- 2344779	27-05-81
FR-A2- 2199467	12-04-74
FR-B2- 2199467	28-01-77
GB-A - 1397436	11-06-75
HK-A - 552/76	17-09-76

Im Recherchenbericht angeführtes Patent- dokument Patent document cited in search report Document de brevet cité dans le rapport de recherche	Datum der Veröffentlichung Publication date Date de publication	Mitglied(er) der Patentfamilie Patent family member(s) Membre(s) de la famille de brevets	Datum der Veröffentlichung Publication date Date de publication
--	--	---	--

IE-B - 38353	01-03-78
JP-A2-49075574	20-07-74
JP-B4-56001309	13-01-81
KE-A - 2626	28-05-76
NL-A - 7312198	07-03-74
NL-B - 187240	18-02-91
SG-A - 286/76	03-04-87
SG-A - 286/76	02-09-88
US-A - 3876647	08-04-75
US-A - 3897444	29-07-75
US-A - 3920822	18-11-75
US-A - 3975530	17-08-76
AU-A1-58906/73	06-02-75
BE-A1- 804145	28-02-74
CA-A1- 1053242	24-04-79
DE-A1- 2344833	14-03-74
DE-C2- 2344833	29-10-81
FR-A2- 2199466	12-04-74
FR-B2- 2199466	28-01-77
GB-A - 1398426	18-06-75
HU- P- 166637	28-04-75
IE-B - 38123	04-01-78
IL-A0- 42879	28-11-73
IL-A1- 42879	31-10-76
JP-A2-49075575	20-07-74
JP-B4-57032062	08-07-82
US-A - 3971786	27-07-76
US-A - 4000296	28-12-76
US-A - 4060621	29-11-77
US-A - 4072748	07-02-78
US-A - 4083988	11-04-78
GB-A - 1398426	18-06-75
MX-U - 6700	21-10-85
MX-U - 6700	21-10-85
YU-A - 562/72	25-02-82
YU-A - 2318/78	25-02-82
US-A - 3920822	18-11-75
US-A - 3975530	17-08-76
US-A - 3971786	27-07-76
US-A - 4060621	29-11-77
US-A - 4000296	28-12-76
US-A - 4072748	07-02-78
US-A - 4083988	11-04-78
US-A - 4129657	12-12-78
US-A - 4060621	29-11-77
US-A - 4072748	07-02-78
US-A - 4083988	11-04-78
US-A - 4129657	12-12-78
US-A - 4129657	12-12-78

Im Recherchenbericht angeführtes Patent- dokument Patent document cited in search report Document de brevet cité dans le rapport de recherche	Datum der Veröffentlichung Publication date Date de publication	Mitglied(er) der Patentfamilie Patent family member(s) Membre(s) de la famille de brevets	Datum der Veröffentlichung Publication date Date de publication
--	--	---	--

DE-C - 666306

None

AT-B - 328760

12-04-76

AT-A - 2936/74

15-06-75

DE-A - 1523246

10-04-69

DE-B2- 1523246

19-09-74

US-A - 3454777

08-07-69

CH-A - 437876

None