

(19) World Intellectual Property Organization
International Bureau



(43) International Publication Date
25 September 2008 (25.09.2008)

PCT

(10) International Publication Number
WO 2008/113393 A2

(51) International Patent Classification:
G21B 1/00 (2006.01) *G21K 1/00* (2006.01)

RU, SC, SD, SE, SG, SK, SL, SM, SV, SY, TJ, TM, TN,
TR, TT, TZ, UA, UG, US, UZ, VC, VN, ZA, ZM, ZW.

(21) International Application Number:
PCT/EP2007/002607

(84) Designated States (*unless otherwise indicated, for every kind of regional protection available*): ARIPO (BW, GH, GM, KE, LS, MW, MZ, NA, SD, SL, SZ, TZ, UG, ZM, ZW), Eurasian (AM, AZ, BY, KG, KZ, MD, RU, TJ, TM), European (AT, BE, BG, CH, CY, CZ, DE, DK, EE, ES, FI, FR, GB, GR, HU, IE, IS, IT, LT, LU, LV, MC, MT, NL, PL, PT, RO, SE, SI, SK, TR), OAPI (BF, BJ, CF, CG, CI, CM, GA, GN, GQ, GW, ML, MR, NE, SN, TD, TG).

(22) International Filing Date: 22 March 2007 (22.03.2007)

(25) Filing Language: English

(26) Publication Language: English

(71) Applicant and

(72) Inventor: TAVAKOLI KESHE, Mehran [IR/BE]; Kappellestraat 51, B-8573 Tiegem (BE).

Declarations under Rule 4.17:

- as to the identity of the inventor (Rule 4.17(i))
- as to applicant's entitlement to apply for and be granted a patent (Rule 4.17(ii))
- as to the applicant's entitlement to claim the priority of the earlier application (Rule 4.17(iii))

(81) Designated States (*unless otherwise indicated, for every kind of national protection available*): AE, AG, AL, AM, AT, AU, AZ, BA, BB, BG, BH, BR, BW, BY, BZ, CA, CH, CN, CO, CR, CU, CZ, DE, DK, DM, DZ, EC, EE, EG, ES, FI, GB, GD, GE, GH, GM, GT, HN, HR, HU, ID, IL, IN, IS, JP, KE, KG, KM, KN, KP, KR, KZ, LA, LC, LK, LR, LS, LT, LU, LY, MA, MD, MG, MK, MN, MW, MX, MY, MZ, NA, NG, NI, NO, NZ, OM, PG, PH, PL, PT, RO, RS,

Published:

- without international search report and to be republished upon receipt of that report
- with information concerning one or more priority claims considered void

(54) Title: MICRO PLASMA REACTOR

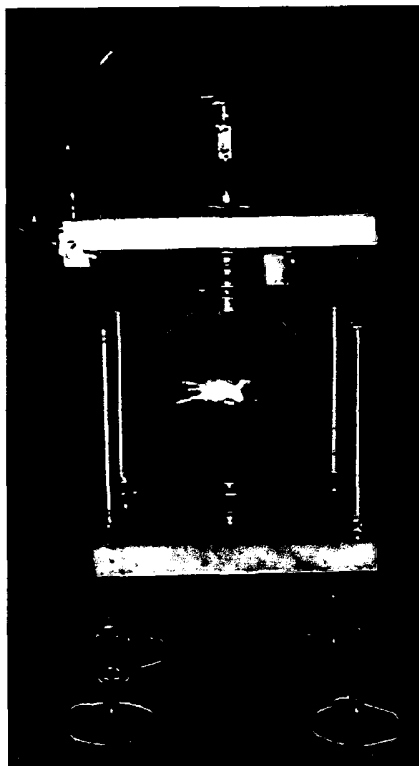


Fig. 10

(57) Abstract: A plasma reactor for the creation of energy is disclosed, which comprises of several technical means (wall, seal, ort/gate, outcome), and which contains materials from which at least one sub-quantity being radioactive and/or being able to be transformed in a radioactive isotope during the internal process, other materials from which at least one sub-quantity being an inert gas and/or being able to be transformed in an inert gas or in inert gas vapour during the internal process, other materials from which at least one sub-quantity being a atomic or molecular metallic material and/or being able to be transformed in a atomic or molecular metallic material, in metallic gas or in metallic vapour during the internal process, and other materials from which at least one sub-quantity is hydrogen and/or being able to be transformed in a atomic or molecular hydrogen, during the internal process, and where upon the sealing of said chamber said materials, a controllable interaction process - called the initial dynamic process - of repositioning the plasmatic magnetic energy fields of the introduced elements starts, where a number of the dynamic actions between them lead to the creation of new plasmatic magnetic energy fields, like in atomic, plasmatic and molecular level, and where the interaction between at least two of them simultaneously lead to the fragmentation of existing plasmatic energy fields. This leads to creation of current and energy from the reactor, and where from these fragmentations can be collected useful energy output. These self-sustaining reactors can be build in in many objects and machines.

WO 2008/113393 A2

Description: Reactor.

5 We refer to the priority European patent application Nr. 05447221.2 / EP
O5447221 dated October 3, 2005, introduced by the same inventor.

In above mentioned patent application an extensive description and
several claims were made related to new plasma reactors.

10 This new patent-application contains many of the basic ideas disclosed
and claimed in EP 05447221 in more detailed way or in variations. There
are also methods described which were not disclosed in the
15 abovementioned patent application. This invention relates to an energy
producing system, method, concept and technology whereby in a reactor-
embodiment a first basic set of interactions – called initial dynamic
process - is created where atomic hydrogen is generated without
mechanical motion, and after this first interactions a second chain of
20 energetic events is created via a rotative magnetic initiation of a basic
ionization of a gas (i.e. hydrogen) or other matters, which then triggers a
controllable chain of energy transfers (so called scintillation) to the next
following layer(s) of introduced gasses (i.e. He, Ne, Ar, Kr, Xe) and all
other introduced elements of the periodic table (i.e. Li, Be, K, Ca, Ti, ...Pt,
etc.) and/or their introduced molecule combinations (i.e. vapor). We show
25 now also that injection of specific liquid metallic elements has
advantages.

General remark on plasma's.

30 An important misconception in the academic world is that plasma can only
have high temperatures. In example Wikipedia says: *"Temperature
controls the degree of plasma ionization. In particular, plasma ionization is
determined by the electron temperature relative to the ionization energy
35 (and more weakly by the density) in accordance with the Saha equation.
A plasma is sometimes referred to as being hot if it is nearly fully ionized,
or cold if only a small fraction (for example 1%) of the gas molecules are
ionized (but other definitions of the terms hot plasma and cold plasma are
common). Even in a "cold" plasma the electron temperature is still
40 typically several thousand degrees. Plasmas utilized in plasma
technology ("technological plasmas") are usually cold in this sense."*

In addition, but unknown in prior art, today plasma's can also be created
at room temperature or below, and at normal atmospheric pressure or
below. As we have show in our simple reactors, like a cola bottle, a lunch
45 box and a photo-film container. These plasma reactors deliver voltage
and current, and can simultaneously separate carbon from the plastic of
the bottle and deposit this carbon on copper electrodes under the form of
atomic carbon (sp2 and sp3).

5 Nor we see the correct approach in patent-applications by other inventors. All patents and patent-applications miss an essential key to create and manage plasma's, namely that in the correct combination of materials and their contact with radiation sources magnetic fields can be created without initial triggering by heat, magnets, electric pulses, positioning in layers, motion. We show and prove this in our working prototypes, like the static cola bottle (Fig. 11), which produces AND electricity, AND separates materials at atomic level.

10 Thus in examining any prior art one must keep above mentioned misconception in mind.

15 Prior Art.

Prior art shows in general the tendency to reproduce the conditions and processes in the Sun, like extreme heat, and most concepts refer to tori-shaped devices with magnetic confinement, like in patents: US 4363775 (Bussard), US 4367193 (Bussard) and 4363776 (Yamanda et Al).

20 The processes described by Mills (US2004/0247522A1 dd Dec 9, 2004) are initiated by laser and [0768] describes " ... a chemically generated plasma". Further, claim 5 stipulates in §3. "a source of atomic hydrogen". Non of these three specifications is used in our approach, since no laser is used, our process to create hydrogen is atomic, and not chemical, and we don't use a initial source of atomic hydrogen because the atomic hydrogen is generate by itself during the process. Therefore claim 5 and all claims dependent from claim 5 are not to be considered prior art.

25 Further our reactors can start in a complete immobile set-up without any triggering system, and all are able to self-generate plasma's. Mills' system is not fit for such. Therefore the fundament approach of Mill's is different from ours.

30 In the description – but not in the claims - of WO 02/05292 A2, Yensen describes a apparatus and assembly for heating and compression of plasma, ions, to overcome the Coulomb repulsion) and to fuse into heavier element(s), and describes that this can be realized by the use of a plasma generator, a pump to circulate fluid, a plasma separator (14 and 22 of Fig. 1), etc. Pag 13, Line 39 – 43 explains that a starting temperature of 25,273 K is needed! The fluid (Mercury or an electrically conductive fluid) is essential because – Yensen assumes - it will hold the plasma "bubbles" (from 2mm to 10 mm diameter) which are later compressed. Further it is important to notice that the ionization doesn't happens in a reactor but in a pre-preparatory set-up the whole patent application does not mention fission, since the object is to create heavier element(s). However, in none of the broad independent claims the apparatus (itself) is described, where the claims should "claim" at least one embodiment or assembly.

35 40 45 There is no resemblance of all of that patent application with ours.

US 4,428,193 (Papp) describes a very complex mechanical apparatus using compression caused by mechanical piston(s) (claim 1, §2) and a plurality of coils to create magnetic fields, and other means like filters, ray tubes, a polarizer, ionizers, supplies for electrical current to ionizing means, etc. This apparatus or engine through heat excites adjacent helium to create a plasma (Column 11, line 53 – line 54). Papp isolates the helium first by other layers, and secondly from the walls by the use of a modest vacuum caused by coils and by the movement of the piston. In column 13, line 5 - 7 Papp describes his way how the gasses are caused to circulate in the cylinder by the change of polarity of the coils, our way is different since no coils are claimed. To Papp this is essential, so this is no prior art. Further Papp describes in column 13, line 25 – 27 that he needs to energize the top and bottom coil to produce two separate fields, where no coils are used in our approach. In our case the separation between layers of inert gasses – in the case where we use rotating reactors - is mainly provoked by self-generation of plasmatic magnetic energy fields between those layers or by introducing small amounts of specific materials, like atomic metallic vapour, between the layers of inert gasses which enhance the plasmatic magnetic energy fields.

The Papp concept is totally different from our reactors, since in our reactors the introduced materials already create initial plasma('s) by themselves – like by self-generating radioactive isotopes - or by triggering separate radioactive source(s) in the reactor or in the introduced materials.

In US 2003/0002611 A1 (Greatbatch) claim 1 described an electrostatic fusion reactor with a potential well, which is surrounded by one or more collector cages. Paragraph 15 specifies clearly that this reactor is especially adapted for ^3He reactions, and includes two concentric high-voltage spherical grids, where the outer grids is grounded and the inner grid can held at a high negative DC voltage. Paragraph 18 specifies that the "potential well" is formed by either a spherical grid anode or a virtual anode, and cages are added around the well to "slow down the speeding protons". Paragraph 24 specifies that the grid is made by wire material (like tungsten), and paragraph 26 explains that the reactor output energy is in the form of high-velocity protons, that must be converted in electrons by a cage. We do not use cages, nor grids. Paragraph 32 points out that an outside voltage source of -200Kv is needed which is lead to the center, which is not in our case since we don't use an initial electrical source in the center of the reactor. Since paragraph 57 refers to totally different concept it is not to be considered prior art, even other materials then ^3He could be implemented. Independent claims 1, 11 and 12 all mention either a grid and/or a potential well, which are not used in our system(s), therefore also all dependent claims are not relevant.

In US 4,831,627 of J.L. Campbell uses fixed magnets to create magnetic fields, where in our approach internal interaction processes of the materials create the plasmatic magnetic fields, which themselves lead to

5 further processes of fusion, fission and fusion/fission (called semi-fusion). Our materials don't need to be "injected" like in Campbell's patent but can enter the reactor embodiment by non-pressurized ports. Campbell claims in claim 1 and 12 to use "gas molecules" thus combined atoms. If we use
10 gasses, these are at atomic level. His claim 1 (d) clearly identifies that the cause of colliding are magnetic fields created by said annular magnet – which is positioned on the walls - and by said magnetic means. In our approach the elements inside the reactor create plasmatic magnetic fields themselves due to their interactions between themselves due to the use of principles like scintillation and ionization and creation of independent magnetic fields, which never has been achieved in prior art, neither has even been mentioned. We have proven this principle of self-generation of PMEF in our static and dynamic prototype cores (Image cola bottle reactor). In a simple cola bottle we show the origin of creation of energy
15 through creation of plasma where – as Fig 12 and 13 shows - power is generated in the plasma, demonstrated by two electrodes that are totally in the pure plasmatic environment (above the liquid). At the same time we demonstrate in the same core that energy is created primly through ionization at the atomic level, at room temperature and normal atmospheric pressure, which has never been achieved in prior art. Where
20 the process for the creation of atomic hydrogen necessary for ionization and matters needed for production of magnetic fields are done through a continuous process of fusion, fission and what we call a semi-fusion state. However in dependent claims we disclose that additionally we can add a number of technical features which will enhance the outcome, or speed up the process.

25 In the paper titled "The Atom" (by MT Keshe), where, the fundamental method of the creation and development of components of any matter is explained, where it is said about the simplicity of creation of an atom:
30 "The universe is made of energies and not matters. Where, atoms are created in the cold conditions in the weakest magnetic strength fields regions of a system (like galaxies), and totally in opposite point, where molecules and matters are created out of collection of the same atoms, in
35 relative strong and condense magnetic fields regions of the systems. How these energies originally interact, and how the lower base energy levels come together to guarantee their existence, decides what it appears as different parts of the atom".

40 The general hypothesis is that for the creation of matters neither needs excess temperature, nor extreme pressure, but all matters characteristics can be reached by altering the fundamental plasmatic magnetic energy (PME) of Specific Entangled Plasmatic Magnetic Fields (SEPMAF). Where SEPMAF's are what we call today in physics; initial
45 parts of fundamentals of particles and atoms. Protons, neutrons and electrons are collections of SEPMAF's which their magnetic fields have a specific structural magnetic entanglement, for example as the double plasmatic magnetic structure.

Each type of SEPMAF's has a proper strength and magnetic structure. These basic plasmatic magnetic entanglements have a loose binding character, and not a fixed single magnetic field as in solid magnets.

5 That loose plasmatic magnetic binding of a SEPMAF may be altered by the presence, characteristics and behavior of other SEPMAF's, namely by their plasmatic magnetic strength and structure, and by their position and motion. The strength of SEPMAF's of the same type can alter within certain limits, thus their structure is dynamic.

10 In other words: Under the right conditions – like minimal distance - these SEPMAF's interact and can influence each other in several ways, in example like; one or more SEPMAF's can have a change in the plasmatic magnetic field structure; one or both of the SEPMAF's can disentangle; SEPMAF's can reposition between each other or change position in the surrounding fields.

15 When SEPMAF's are in motion they will be influenced by the SEPMAF's, which they pass and come into.

20 As such the "Atom" is a combination of several types of SEPMAF's, and molecules are more complex SEPMAF's.

25 The physical interactions between SEPMAF's are one of repeated states of balance or unbalance. To the observer this flux of magnetic changes means property changes of the atoms and of the molecules.

30 Once we understand these basic plasmatic magnetic interactions in the building elements which compose matters, like molecules, we are *able to change all properties of matters, and atoms, by using, in the correct way plasmatic magnetic fields provided by the SEPMAF's themselves and by additional magnetic and/or electromagnetic sources*, in solid or liquid form, which are in fact more complex SEPMAF's themselves too.

35 This means that such processing happens in a smooth way on the fundamental magnetic level, and not by brute forces, like in reactors, which need high temperature and high pressure conditions.

40 By repeated experiments and tests in simple reactors, working at room temperature and at atmospheric pressure, we have evidence – which is confirmed - that this type of processing is very feasible and reliable and are normal daily occurrence in the world of physics, if and only if the correct conditions are present.

45 We have now indications - through static and dynamic tests in our reactors - that the Universe was made in normal condition of cosmos, which was originally nothing but packages of plasmatic magnetic fields of different strength, which these packages were themselves nothing but area's of plasma or collections of loose magnetic fields energies.

5 Where magnetic fields of different strength in-locking to each other, by principle of their plasmatic magnetic energy (PME), have caused in the first stage the creation of fundamental particles, secondly atoms, then molecules and then matter, clouds and asteroids and then stars and galaxy's".

10 The interaction and accumulation of the plasmatic magnetic energies usually leads to creation of energy, heat and/or of motion of their given atomic structure in the inner sanctum of the each atom (and molecule), which finally leads to creation of all sorts of matters in the cosmos.

In the universal order, binding energy of a nucleus of matter is lost through plasmatic magnetic energy losses.

15 That is to say, in a solid magnet, the magnetic energy of the matter is permanent according to realignment of electrons within the materials of the magnet and can not be altered by its use, but in the plasmatic magnetic energy in the nucleus of an atom this is not so. There the magnetic energy in plasmatic state which can be transferred from one level of an atom to another level, or commonly from one atom to another, independent of temperature and pressure.

20 A vacuum condition may enhance or facilitate the condition of such transfer of plasmatic magnetic energy in ambient condition in a simple plasma structure environment.

25 By use of the new understanding of creation of matters and the real relationship between all elements and their connection and transfer of energy in simple way, and not necessarily in the complicated chemical and biochemical reactions and connections, we predict that atomic plasmatic magnetic energy of any element can be replicated, where after separation of atoms from composite matter then the same atoms can be re-accumulated on a given position and in a specific place.

30 "It is important to note that, in an atom "the interaction between the two plasmatic magnetic fields of neutrons and protons, is in fact the creator of the double magnetic field of the atom and consequently is the creator of the gravitational field of the whole atom (very much like the double magnetic field created in the center of the Earth, as explained in the paper "The creation of Gravity").

35 Where the magnetic energy of the nucleuse can be increased, up to a limit without disintegration of their inner gravitational forces of its constituent (like neutron and proton plasma magnetic energies) for it to attain the plasmatic magnetic energy of higher element".

45 Confirmation by experiments and tests with Carbon.

The above given new insights of plasmatic magnetic energies in SEPMAF's provides a new approach in the control of matters within a closed environments like so called reactor with which the correct conditions can be created and maintained in. For example, in our reactors we have the separation of matters like carbon and hydrogen where separation is achieved by separating these atomically from their original composites, and then selectively collected in a given area as atomic hydrogen for energy production and/or deposited as carbon on predetermined surfaces for production of new materials like graphene or glassy carbon.

By using this simple method in a simple reactor, the carbon atoms are deliberately, as it is done in cosmos, separated from their constituent composite materials, and then recollected on elements, which are specifically positioned and placed in the reactor.

For simplicity and confirmation of the proof of concept, a Cola bottle (50cl) was used as a reactor, at room temperature and pressure, without the use of any external means or effects. Inside an electromagnetic wave source was mounted inside and the bottle was filled with a composed liquid and then closed.

After a one hour the first black deposits of carbon were noticed. After five hours the electrodes, which were positioned above the liquid, were completely black. Parts of the electrodes positioned *inside* the liquid were *not covered* with carbon deposits. The carbon atoms and carbon walls - several hundreds of atomic layers thick - were collected on the electrodes in this simple reactor, and a sample was tested and confirmed by Raman spectroscopy to be containing atomic carbon cluster known as graphene (sp²) and probably sp³ which according to report could be hidden beneath the SP² layer and clear layers of glassy carbon on the poles of the electrodes.

This examined electrode shows several sp² layers on top of each other. The reason is that we used the tested sample previously for several different loadings and several carbon extractions from several materials. The tested electrode was just picked randomly from some 30 or 40 pieces.

Through the same principle, then a 27 electrodes reactor (a lunch box – Fig. 8 and 9) was used to produce in larger quantities the same atomic carbon, and atomic sp³ (three dimensional carbon, known as diamond) was collected. Further it was found that glassy carbon was simultaneous produced in the reactor, which has been confirmed in the Raman spectroscopy report. In this lunch-box reactor also copper-oxide and several other oxide like nickel and composite material were created and deposited on the surface of the electrodes which were submerged in the liquid.

By principles of physics and by new understanding of connection of matters and applying this the relationship in a reactor and not a chemical interaction between different atoms in a composite, it becomes very easy to disintegrate composite matters like carbon and iron, and then deposit
5 the carbon, which changes to gas in atomic level on to a given surface.

From the point of disassociation from iron atoms', the carbon automatically recombines with oxygen in its environment creating CO₂ by use of additional plasmatic electromagnetic source, which this is disintegrated to carbon and oxygen and then the carbon can be attracted
10 and deposited on to a pre-designated surface.

In our tests, carbon atoms are extracted from CO₂ gas, plastic, metals and composites.

15 In these tests we use a mixture of hydrogen liquid as the mediator, an electromagnetic wave source, and copper electrodes as the collector.

It has to be made clear that the carbon was only collected and deposited on the electrodes, which where not placed in the liquid, this proving the clear plasmatic transfer of the carbon from the liquid and the carbon
20 content of the container which included a PET-plastic cola bottle (Image 2), containing in its molecular structure, carbon.

By the same measure it has to be said that there were no carbon deposits on the electrodes which were submerged in the liquid, this confirming that there has never been any catalysis process present in this technology,
25 which carbon or other matters could be transferred from one element to the other as in plating system.

30 It is important to note that the mediator in the reactor is not acids and bases either, that can cause chemical reaction needed for catalytic process.

In the universe acids are composites of further inter-compositions of atoms, and atoms are created long before any acids are created.
35

At the same time when the bottle were emptied and then refilled, the deposition of the graphene is instantaneous and covers all elements even the ones which are going to be submerged in the same process.
40

We have created several reactors for the proof of this concept. Fig. 4 and 5 shows a plastic photo film container is used to create a 1.5 volts DC and 1.2 Ac voltage simultaneously from 4 terminals.

45 Difference between normal magnetic fields and plasmatic magnetic energy fields.

To fully understand our approach it is important to grasp the difference between normal magnetic fields (NMF) and plasmatic magnetic energy fields (PMEF). A PMEF can be defined as the magnetic energy which is already possessed by the plasma and it is inherent in the construction of any atom. All atoms are collections of specific entangled plasmatic magnetic fields (SEPMAF), thus all atoms and molecules also possess SEPMAF's, and have more complex combinations of such PMEF. Also electrons are SEPMAF's, but certain other SEPMAF's can have identical of similar magnetic energy strength to electrons without being electrons themselves. The consequence of this is, in example, that when two nuclei approach each other, a fragment of their PMEF be released and such smaller PMEF can reposition and act as being an electron.

Some interesting remarks are made by Nobel Prize laureate Wilczek related to the strange background processes in the quantum mechanical concepts. To Frank Wilczek (arXiv:physics/0511067-v2, dd 11 Nov 2005) *"In modern quantum mechanics, an electron is no longer described as a particle in orbit. Rather, it is described by a vibrating wave pattern in all space ... In Schrödinger's account light is emitted or absorbed when the electron's vibrations set the electromagnetic field – aether, if you like – in motion, by the same sort of sympathetic vibration that leads to the emission of sound by musical instruments, when their vibrations set air in motion. These regular, continuous processes replace the mysterious "quantum jumps" from one orbit to another that were assumed, but not explained, in Bohr's model. ... So the notion of using protons and neutrons as elementary building blocks, bound together by forces you would just go ahead and measure, became untenable." And: "Asymptotic freedom says that an energetic quark (or antiquark or gluon) will frequently emit soft radiation, which does not significantly change the overall flow of energy and momentum; but only rarely emit hard radiation, which does produce changes in the flow." And: "We know from many experiments that electrons and positrons have no significant internal structure, so there's no question that when we make these collisions we really are doing the same thing over and over again.", and further: "...what we perceive as empty space is in reality a highly structured and vibrant dynamical medium."*

Where Wilczek claims that protons and neutrons are composed of quarks and gluons, in our almost similar understanding, we see that there are several complex SEPMAF's which PMEF's are loose interlocked, and thus where the energy generated by the plasma is much greater than energy provoked by much smaller electrons, hence a more powerful energy source magnetic field can be attained from the dynamic plasma. This is the method behind our simple power production in the reactors where we use plasma at room temperature and room pressure. Then creating ionization and vast amount of energy is possible without needing to have in advance vast amount of energy to create ionization.

5 Related to the generation of energy, the interaction of two such PMEF will lead to the release of fragmentation in the form of smaller PMEF, where the accumulated energies from these fragmentations can reach the energy level equal to the energy of electron charge (13.2 eV), but not being an electron itself, which the motion of these electric charges within the dynamic core once extracted through the walls or through electrodes from the embodiment, can lead to generation of current. In the Fig. 14 we show in a graph the outcome and this accumulation in mV and mA between several electrodes of a simple static cola-bottle reactor.

10 In relation to the production of matter, by introducing in the reactor embodiment specific materials, be it gasses, matters or plasma's – which all have their specific PMEF's , one or both PMEF of an element will have a passive or active effect on other PMEF's in the reactor. So that they can attract and/or repel away from their position. For them to create a temporary state of fission of atoms from their combined atomic structure – with or without a use of a additional plasmatic magnetic energy source – and for a condition to be created in the reactor embodiment for atoms to create a state of cold fusion condition, for the matter to absorb energy in a plasmatic magnetic level for it to create a temporary semi-fusion state for the atom for it be able to reconstruct itself in atomic level and to be relocated individually or as a collection of atoms or as a atomic layer on a given predetermined position. Where the energy for diffusion is through additional source allowing the liberation of the atom or diffusion of matter in atomic level, leading to liberation of matter in atomic level.

25 Evidence for this is given in static prototypes like the cola bottle reactors and in a simple lunch-box plasma rector (Fig. 8 and 9) where separation at atomic level happens, at room temperature and normal atmospheric pressure, where these dynamic released atomic matters can lead to creation of energy in electrovolt levels.

30 By the appropriate choice of materials, where the conditions through creation of vacuum and scintillation by the use of radioactive source(s) and inert gasses, will lead to the creation and release of EUV waves, which in interaction with the hydrogen created through semi-fusion condition process, will lead to creation of positively charged plasma – which is dynamic -, which in turn this with interaction with the metallic or semi-metallic materials in the atomic and molecular level, or the atomic metallic conditions, in plasma within the core will create the necessary plasmatic magnetic field within any confined position within the core. Where the interaction of such two fields will be created at the atomic or molecular level, which although these could be of the similar magnetic field strength, and partitioned within the core, where due to the physical partition and dynamic characteristics of the core, the unattainable interlocking of the two PME will create the condition for the rotation of the

partition wall between the two fields, which this rotation of the partition wall will guarantee the centrifugal or rotative condition, necessary for the materials on both side of the partition wall in maintaining dynamic rotative characteristics of both PMEFs, which in turn guarantees the creation and control of both of the MPEF on both sides of the partition wall, which the interaction between these two fields will lead to the creation of a superimposed double magnetic field method necessary for the creation of gravitational and spherical magnetic field around the reactor embodiment

10 Where in specific conditions one single dynamic plasmatic magnetic energy field will be sufficient to create gravitational and anti-gravitational conditions necessary for motion in respect to a second independent outside gravitational magnetic field force. Between both will be then a double attractive and repulsive relationship, and depending from programmable positioning one will be stronger than the other.

15 We explain how to release an atom by using matter in conjunction with any type of radioactive materials for the creation of positive plasma ionization, where by the motion of the charged matter within a metallic or semi-metallic matter, or within imposed atomic metallic conditions we create the essential magnetic field conditions necessary for the creation of gravity.

25 An other aspect are mediators and the facilitators among said materials, where the mediators are the elements which allow the facilitators to reach, be kept, be available or to be transported to and/or at a certain point in the core, where the facilitators can deliver their energy or carry out their functions in that specific point or area, and where the facilitators are the particles, plasma's, atoms and molecules which carry or can absorb or can deliver the release of plasmatic magnetic field of materials within the confinement of the said embodiment, where the fascillators are the materials which accommodate the transfer of energy between the recipient and/or the donor plasmatic magnetic energies, which are/can be used within the system.

35 In the light of the above mentioned approach and collected evidence we claim several methods and type of reactors.

First is claimed a method to produce energy within a reactor, which comprises of:

40 sustainable container wall means; at least one chamber that can be sealed; port/gate means for introducing materials in said chamber; (description: and which can be used alsofor retrieving materials from said chamber; after the introduction of said materials or able to add and/or retrieve materials during or after the processing); outcome means – which preferably are covered in advance by a super-conductive material like
45 graphene - for the collection or the emitting of energy; sealing means for

the closing of said chamber, and where this reactor contains: said materials from which at least one sub-quantity being radioactive and/or being able to be transformed in a radioactive isotope during the internal process; said materials from which at least one sub-quantity being an inert gas and/or being able to be transformed in an inert gas or in inert gas vapour during the internal process; said materials from which at least one sub-quantity being a atomic or molecular metallic material and/or being able to be transformed in a atomic or molecular metallic material, in metallic gas or in metallic vapour during the internal process; said materials from which at least one sub-quantity is hydrogen and/or being able to be transformed in a atomic or molecular hydrogen, during the internal process.

Upon the sealing of said chamber said materials, preferable in conjunction with the matters of said container wall, said port means, said outcome means and/or said sealing means, will start automatically a controllable interaction process – called the initial dynamic process - of repositioning the plasmatic magnetic energy fields of the introduced elements, where a number of the dynamic actions between them lead to the creation of new plasmatic magnetic energy fields, like in atomic, plasmatic and molecular level, where the interaction between at least two of them simultaneously lead to the fragmentation of existing plasmatic energy fields, leading to creation of current and energy from the reactor, and where from these fragmentations can be collected useful energy output. Where the initial dynamic process made have a relative small outcome, this initial process is enlarged by the activation of the motion means.

This dynamic interaction may lead also to the creation of double superimposed magnetic fields, like explained above in this description.

This reactor can be equipped with additional internal motion means, like internal rotation or vibrations systems, for the enhancement of said initial dynamic process, to generate a larger energy outcome. Due for example rotation the excitations of the initial dynamic process will be enlarged with several magnitude.

The reactor may also be equipped with additional external motion means, like rotation or vibrations systems, again for the enhancement of said initial dynamic process, to generate a larger energy outcome. Of course both possibilities, internal and external motion means, can be applied at the same time.

The reactor can have a single chamber, but can also be equipped with at least one additional center core, which we call the caroline core, within said chamber. This separation can be a real physical core, like in plastic or steel, but can also be – as we explain later – be i.e. liquid or vapour metallic. The choice of the concept and the materials used as such

separation system will influence the properties of the magnetic fields which they create.

5 The next step is a reactor which is equipped with additional motion means, like rotation systems, and when said motion means are activated, due to centrifugal forces (because each having given a position which corresponds with their natural atomic position in the periodic scale and their atomic weight, the materials active in said initial dynamic process are positioned in prime layers (i.e. layers of inert gasses like H, He, Ne, Xe,)
10 where through the port/gate means additional materials like a metallic vapour or liquid (20)(i.e. K, Na, Ca, Mg), can be introduced and positioned between those prime layers, for the creation of magnetic field(s) due to the atomic repositionings/interactions between the added metallic type layer(s) and said prime layers. in example: the introduction of the element
15 Sodium between Neon20 and Argon 40, or 41 will cause a recurring process of creation of magnetic field, where for example if atomic Potassium is used in the reactor, this element through beta decay leads to the creation of Argon and the by-product of scintillation for example Neon gas or the Argon itself leading to the production of extreme ultra-
20 violet (EUV) and then the ionization of the gasses (i.e. Hydrogen) leading to creation of free electrons for creation of current and establishment of plasma within the inner (caroline) core (29).

25 A reactor can have at least one closed, internal fixed reactor chamber in which at least one inert gas (19, 23, 24) or any other gasses or elements or isotopes or other matters is present, like Hydrogen (H) (22) and liquid Helium (He), and in which the inside chamber wall(s) and/or other parts of the reactors, such as the port/gates, the sealing system, electrodes, outcome means, a central column, etc., is equipped with at least one
30 layer and/or zone of one or more radioactive material(s) that will provoke first EUV and then scintillation.

35 A reactor can also have has at least one reactor chamber in which at least one inert gas or any other element or isotope is present, like liquid Helium (He), to which a very light radioactive material (i.e. a dilution, granules, dust) is added that will provoke first EUV and then scintillation;

40 The reactor can thus have additionally at least one atomic gas, metallic material vapour (20, 25) and/or liquid state element of the periodic table added, in example: Potassium (K), Sodium (Na), Stratum (Sr) for high temperature operations above 1000K, etc..

45 This reactor makes it possible to create magnetic field (17A) within the center core area (12, 29), with the use of metallic or semi-metallic materials in the form of vapour or solid or any other state of matter in between different layers of the material which their motion within the core

5 can lead to creation of magnetic fields due to the passing of the electrons ,or above mentioned fragmentations of PMEF's which are electron-like, which created by EUV and then ionization passing through this metallic or semi-metallic material which is in rotation within the core, and this is a self-sustaining energy system or battery system which the life of the battery can be pre-determined by the atomic count of all matters in the core.

10 A method is claimed of creating magnetic fields in the reactor by introducing additional special transparent saddling means where heavier elements (i.e. Uranium vapour) in the shape of plasma (21) or vapour or any other state of matter can be positioned irrespective to the atomic weight in between different gas layers or matters which by means of deliberate pumping of rotation of the material within the saddle due to
15 passing of the electrons (description: or above mentioned fragmentations of PMEF's) through the saddle media electromagnetic fields can be created.

20 The technology for creation of light and heat using the method of creation of energy of the system using the concept of the patent, mainly can utilise the single magnetic field or more magnetic field concepts of the patent.

The double magnetic fields effect for higher current production is an alternative.

25 The other alternative will be the use of the lighting and the heating in the center (caroline) core for the creation of the extreme ultraviolet light with or without transparent inner and outer core wall, or the use of this ray inside the reactor core for lithography is possible.

30 The creation of the ionisation which can lead to current that in conjunction with the matters in the core of the reactor can lead to creation of the single at least one dimension or more this being three dimensional spherical or any other shape magnetic field, which can cross the
35 boundaries of any core, this being made of any material, this being plasma, gas or other states of matter, that the interaction between the magnetic field of the caroline core or any other layers of the cores of the reactor, in interacting with the charge particles, which could be deliberately created, by means of tube , or paint or lamination, in the
40 vicinity of the core or the charge particles in the atmosphere around the core, to create heat or light, through the principle of the interaction of charge particles with a magnetic field.

45 In this system using the methods introduced in the creation of the reactor in the main patent application N° 05447221.2 / EP 05447221 the materials can be introduced through or positioned in different parts of the

5 core by means of saddling or empty chambers or floating cavities or loose balls created by any means or through any method, in the central column or on the central column or any position in at least one core of the reactor, the material individual form like atomic or plasma or others, or compounds like molecules or as compound of different atoms or molecules or any other form from plasma or energy package to solid, can be used for the containment and material for the core or production of new materials.

10 Where the matter can be allowed to be in any gravitational conditions, this being from zero to maximum gravity that a system could attain through its design.

15 A large potential market is open for plasma reactors, which can be also small of micro sized. The embodiment can be any material, but for prototyping we use mainly standard steel, like shown in Fig. 10 and 11. In special applications such as for lamps a part of the body will be glass or another transparent material (i.e. a synthetisch composite). Fig. 12 shows a reactor mainly made of composite material.

20 We disclose a fixed or handheld reactor (10 + 11) which can be build-in, connected with and/or inserted into various electrical/electronic devices (i.e. a refrigerator, various kitchen, household and professional devices, cool box, mobile phone, computer, medical apparatus, laser, satellite systems, desalination unit, desert air-to-water-transformer collecting units, EM-wave transmitter, etc.).

25 Such reactor can also be incorporated in various objects (i.e. lighting devices in general, light bulb, lamp, torch, light strip, light beam, flood light, floor light, door light, garden light, traffic-light, street-lighting, signalization, meter, sensor, heat-generating clothes, space clothing, pillow, connector, wire, conductors, semi-conductors, microchips, IC's, magnetic locks, etc.).

30 A reactor may also be incorporated or used in various container types (i.e. box, cooking pan, drum, 40 FT, greenhouse, etc.).

35 Many applications are possible for all type of machines, i.e. vacuum-cleaner, ventilator, calculator, drill, mixer, wheel-chair, pumps, carpenter tools, electrical car, electric bike, radio, office machines, etc.

40 The purpose of the reactor can be to generate DC current (similar to a battery) and/or AC current or combination of DC and AC-current, and consequently the various uses resulting from electrical current. It can be important to deposit in advance electrodes with graphene to add super-conductive properties.

45 A reactor can be used also for lighting and for heating/cooling, but also to maintain at least one desired process (i.e. the creation of one or more magnetic fields, two magnetic fields used for creating magnetic locks, etc.).

5 Due the self-sustaining process the operation will last for a long period of time (i.e. 5 years), which can make the abovementioned functioning in devices, objects, containers and machines possible without that they are connected to an electrical power network, without being equipped with solar cells or to any other manner of traditional power source, and/or
10 without the need to recharge. This brings a complete new way of use of traditional products and concept, but also new type of products will be created. The evidence that we have a self-sustaining energy process is found the fact that in the cola bottle reactor – only filled with plasma – we observe two opposite directions of voltage and current. In Fig. 6 the photo shows +324 mV measured between electrodes 1 and 2, where in Fig. 7 the measured value between the electrodes 2 and 3 is –628 mV. This proving an internal recharging process.

15 We describe now two specific reactors. The first reactor has at least one closed, internal fixed reactor chamber in which at least one inert gas (19, 23, 24) or any other gasses or elements or isotopes or other matters is present, like Hydrogen (H) (22) or liquid Helium (He), and in which the inside chamber wall(s) is equipped with at least one layer and/or zone of
20 one or more radioactive material(s) that will provoke scintillation. The second reactor has at least one reactor chamber in which at least one inert gas or any other element or isotope is present, like liquid Helium (He), to which a very light radioactive material (i.e. a dilution, granules, dust) is added that will provoke scintillation. But in these two reactors –
25 additionally - at least one atomic gas, metallic material vapour (20, 25) and/or liquid state element of the periodic table can be added, in example: Potassium (K), Sodium (Na), Stratum (Sr) for high temperature operations above 1000K, etc.;

30 We claim and describe here also a new method by which in a plasma reactor chamber at least one metallic material vapour (20)(i.e. K, Na, Ca, Mg) or liquid metallic element layer is brought by injection means between at least two layers of inert gasses (i.e. H, He, Ne, Xr), what will create –
35 without rotation or adjustable speed of rotation and if the correct element combinations are used – a magnetic field by the added metallic type layer(s) (in example: element Sodium between Neon 20 and Argon 40, or 41) causing a recurring process of creation of magnetic field, where for example if atomic Potassium is used in the reactor, this element through beta decay lead to creation of Argon and the by-product of scintillation for example Neon gas or the Argon itself leading to ionization of the gasses
40 (i.e. Hydrogen) leading to creation of free electron for creation of current and establishment of plasma within the caroline core.

45 This new method makes it possible to create magnetic field (17A) within the caroline core (12) with the use of metallic or semi-metallic materials in the form of vapour or solid or any other state of matter in between different layers of the material which their motion within the core can lead

to creation of magnetic fields due to the passing of the electrons which created by ionization passing through this metallic or semi-metallic material which is in rotation within the core, and this is a self-sustaining energy system or battery system which the life of the battery can be pre-determined by the atomic count of all matters in the core.

We describe here and claim a new method of creating magnetic fields in the reactor by introducing special transparent saddling means where heavier elements (i.e. Uranium vapour) in the shape of plasma (21) or vapour or any other state of matter can be positioned irrespective to the atomic weight in between different gas layers or matters which by means of deliberate pumping of rotation of the material within the saddle due to passing of the electrons through the saddle media electromagnetic fields can be created. This method through which high-level magnetic field and consequently high gravitational field forces can be created at low temperatures in the caroline core or in another core can be created, which the magnetic field created can be utilized for high power lamps (i.e. flood lights), or for the creation of strong magnetic fields necessary for shielding, intensive lighting (18B) and high heating (17B).

This method can be applied on a special plasma reactor where the saddle is tubular (25) and this leads to the creation of the condition for tubical magnetic field where materials (like amino-acids or dark matters) could be created within the inner hollow tubical (26) body of the saddle where the magnetic field is created in the outer layer of the tube within the layers of the reactor core.

This method can be applied on a special plasma reactor where the saddle is tubular (25) and this leads to the creation of the condition for tubical magnetic field where materials (like amino-acids or dark matters) could be created within the inner hollow tubical (26) body of the saddle where the magnetic field is created in the outer layer of the tube within the layers of the reactor core the tube creating its own gravitational free access hole, channel or area into any layer or layers of the core or the surrounding environment which the system might create, i.e. for access into the cocoon created by the reactor.

This method can be applied on a special plasma reactor where the saddle is double spherical (25) and this leads to the creation of the condition for spherical magnetic field where materials (like amino-acids or dark matters) could be created within the inner hollow spherical (26) body of the saddle where the magnetic field is created in the outer layer of the sphere within the layers of the reactor core.

A conceptual interesting reactor has at the outside of the reactor at least one layer and/or zone of one or more material(s) that will provoke or

create charged particles (18A) which the interaction of the particles with the magnetic field created in the core of the reactor can create lighting (18B) in any frequencies, or microwave production or heating in the surrounding area or vicinity of the system.

5 A reactor can have in the embodiment a mechanical (like watch system, fly-wheel type) and/or electro-magnetic rotational mechanism (16B)(i.e. at 250 rpm) which is connected with (13) or making a whole (16A) with at least one central column (27, 16D) in which at least one container (15, 37)
10 is located that can release precise quantities of the contained matter (i.e. radio-active material or liquid Helium) into the reactor chamber. But a reactor can have also a fixed central column with on the tip rotational means which pumps through at least one channel – when needed in the plasmatic process – precise quantities of gas or other matter into the
15 reactor chamber from at least one container in the embodiment. The central column may have at least one channel and with on the tip means of ionization (i.e. a micro-wave emitter, lamps, etc.).

20 A reactor which has no internal rotating system can be started – by hand (i.e. pushing a spring, screwing, etc.), or magnetically, or wireless, by a Integrated circuit (16C) and/or by a timing mechanism - by the opening or breaking of a closed internal container (15) which holds materials for scintillation of other material. This will activate the reactor.

25 A reactor will have an inside-chamber size of 50,000 cm³ maximum, and the smallest reactor, has an inside-chamber size in nano-dimensions. The embodiment (11) of a reactor can be made in any shape and of any material and combination, after the intentional use.

30 We claim here also a new type of light bulbs and light tubes which are in fact reactors. These new lighting devices will have in one version at the outside a transparent layer material (14)(i.e. glass) and inside an inert gas – like Neon -, where the charged particles of the gas create an inner circulation using the magnetic field (17A) which created in the core of the
35 reactor to excited the charged particles (18A) for them to glow (18B). In another versions they have at the outside a double glass wall with between the glass layers of an inert gas – like Neon or any other material - , where interaction between the magnetic fields created in the reactor and the charged particles create inside the glass chamber excitation
40 leading to the creation of light or heat from the boundary of the system (i.e. IR, blue light, heating elements, etc.).

45 Another version is that at the outside at least two areas of the reactor parameter could be covered by at least two different, two identical or a mixture of matters, possible wise in different states (such as other temperature, variation in pressure,) – which can be encapsulated (i.e. in layers, in tubes, or any kind of containments like square boxes, hexagons,

5 or adjacent to each other), coated, laminated, glued, sprayed or the reactor is suspended within, which can create two or more different electromagnetic waves of different frequencies caused by the same constant strength or varying strength of the magnetic field caused by the inner core(s), what for example results in the creating of two different color lights or one color light and one heating radiation, or for optical communication by fiberglass or similar, or the use in light computers, or for satellite communication.

10 We claim a light bulb, light tube or lighting system for nano technology or nano communication using a nano sized reactor which is in multi-layer condition where the light from the interaction of the charges of proton or electrons using the magnetic field of the reactor to generate light for nano technology, for nano communication systems or for nano lighting and communication connections.

15 The new lighting devices can use at the inside the core of their reactor a microwave-lamp as source to create scintillation leading to creation of for example Extreme Ultra Violet lighting (i.e. used in lithography). They can have replaceable covers to have a different radiation effect (i.e. IR, red light, etc.) after wish.

20 Some of those new lighting devices will have an inner rotative core that creates at least a minimal rotation of the inner material(s) to avoid stagnation. Stagnation would create instability and change of position.

25 Since the market uses for many years traditional lamps and people have a broad scale of variations the lighting devices can have the same types of fitting as traditional lamps, or existing ISO-norms. So people can just replace the old type lamps at home by new reactor lamps.

30 One type of reactor has at least one closed fixed reactor chamber with at least one inert liquid Helium (He) gas or any other materials and an additional dilution of radio-active material so their interaction provokes scintillation.

35 A reactor can be placed in any environment, i.e. a greenhouse, where the interaction of the charged particles within that environment and the magnetic field of the reactor could create the conditions necessary - i.e. for growth of plants, decontamination of matters or humidity control - which not necessary can create visible light or tangible heat but i.e. invisible electromagnetic light.

40 The reactor can also make a completely new type of battery (30). This will generate and delivers at the same time DC (33) and AC (34) which can be tapped from the same or several different connecting points. A more

45

performing reactor-battery can generate and deliver even at the same time various values of DC and different AC phase power!

5 The reactor-batteries (30) can have the same types of connectors (36) as all traditional batteries have (i.e. figure 3: a 9V Battery type), conform the relevant ISO norms. This means that reactor-batteries can immediately be inserted in all type of handheld devices, offering a quasi lifetime performance.

10 Preferable all electrodes or terminals in our reactors are coated with ballistic conductive mono-layered carbon (graphene)

15 A special battery with a soft body embodiment of the reactor or transparent can be made where the created EUV in conjunction with at least one created magnetic field of the reactor - this material being inside the core or outside - can be utilized for irradiation purposes or etching or lithography on or in any material.

20 We claim also a new laser type where the body of the reactor is transparent or a porthole or channel where mono-energetic magnetic radiation can be transmitted through an outer core interaction with a specific charged particle(s). This very powerful laser can be used for various communication, for very narrow wave-band readers, sensors and scanners, printers and cutting machines.

25 New type of mobile phones and laptops (and all kind of computers) will be powered by reactor(s) which can create currents at micro electrovolts level which can be placed inside the devices at the production lines since the battery doesn't have to be replaced for a predetermined period due to
30 a specific atomic loading of the caroline core (i.e. 10 years). So in stead of a battery now a reactor will power such devices.

35 We claim a method to build electronic devices such as mobile phones, laptops, sensor devices, robots, and all other electronic devices without internal power distribution lines, which reduces the number of parts inside such devices.

40 We claim also microchips, IC's, semi-conductors and/or electric/electronic components (i.e. motherboard) in which a reactor in integrated or connected with to create or use micro electrovolts power-generated. Such electronics will be build in without outer power source and works independently, which leads to computers with reduced spare parts and no power distribution systems. There is no need to transform current to very low level.

45 We claim also new types of robots, cars, computers and other electronic

5 devices, which are powered by at least two reactors, each for the powering of a different part of the electrical, electronic, magnetic and/or mechanical system, i.e. robots in which each moving part has its own proper – local independent – reactor, the internal and external communication systems have appropriate reactors and the total system is protected by a magnetic shield powered by another reactor.

10 Batteries type reactors or heat generating systems of nano-size can be embedded in any electric, electronic component or into any solid, liquid, gaseous material.

15 A method is also disclosed by which a reactor is build inside an electric device, an object, a container and/or a machine as a power source (current, heat, magnetic force, micro pressure devices).

20 A method is disclosed whereby around at least one reactor core at least one wire (35) is fixed on the surface (31) or in the body of the surface in the appropriate way that by rotation of the inner core (caroline core) or the other core that might be involved through the rotation into the magnetic field(s) which is created inside the reactor leading to the generation of alternating current (AC) within the wire, and which can be tapped for various uses (34).

25 A method is disclosed to build electronic devices such as mobile phones, laptops, sensor devices, robots, and all other electronic devices without internal power distribution lines, which reduces the number of parts inside such devices.

30 A method whereby around at least one reactor core at least one wire (35) is fixed on the surface (31) or in the body of the surface in the appropriate way that by rotation of the inner core (caroline core) or the other core that might be involved through the rotation into the magnetic field(s) which is created inside the reactor leading to the generation of alternating current (AC) within the wire, and which can be tapped for various uses (34).

35 A method where around or inside the embodiment (11) of magnetic plasma-reactor at least one coil is placed within the reach of magnetic field(s) generated in the reactor core(s), i.e. for the creation of AC current.

40 This reactor will have an important impact on economic and social life, since the energy costs are reduced, and the

Description of the drawings/images.

45 Fig. 1. shows a spheric plasma reactor with a rotative central column in which a magnetic field is created which excits external particles,

producing light. The image on the left with 3D gradations shows the spheric shape

5 Fig. 2. shows an assembly of a plasma reactor with inside the cavity a layer of metallic vapour elements which provide the separation between the inert gases Ne and Ar. The vapor layer can have internally jets (26).

10 Fig. 3 shows a battery-like type of rotative reactor. This has the same concept as traditional ISO-type 9V batteries were the DC electrodes are positioned on top. The reactor makes it possible to create at the same time AC due to the coil maens on the inner core. AC electrodes can be positioned on other spots of the outer cover.

Fig. 4 shows a battery-like reactor embodiment, which is a sealed waste photo-film box in which a plasma reactor is places. Four electrodes are positioned on top.

15 Fig. 5 shows the measuring between two electrodes of the battery-like reactor of Fig. 4. 544 mV was measured. This test was done four month after the sealing.

20 Fig. 6 and 7 shows a cola bottle plasma reactor which has only three copper electrodes. This bottle was first filed, then emptied. Only moisture is left, being the plasma. Voltage is measured between the electrodes. Additionally the electrodes were deposited with atomic carbon which is originating from the plastic of the bottle. Fig. 6 (measuring between electrode 1 and 2) indicates an outcome of +324 mV, where Fig. 7 (measuring between electrodes 2 and 3 shows – 689 mV. Between both measurments was about 30 sec. The difference in values indicate the recharging process in the plasma reactor itself, and the self-sustaining character of process.

25 Fig. 8 shows a simple plasma reactor made of plastic. It is a lunch box, where on the top part 27 electrodes are places, each having their body reaching in the inside of the box. Some were submerged in the liquid, other were positioned above the liquid (in the plasma). Fig. 9 shows the backside of said top part. Several type of electrodes are black, covered by graphene, these were only in the plasma. The other were submerged. On these different type of deposits are found, each with another color. These colors indicate oxides like chromium, copper, titanium.

30 Fig. 10 shows a spheric dynamic reactor made of steel positioned in a framework. On top are introduction means. Four electrode means are positioned in the upper part. The upper part is screwed on the embodiment. This reactor is designed of energy production.

Fig. 11 shows a hemisphere reactor designed for lifting purposes.

35 Fig. 12 shows a half spherical reactor to be rotated internally to create double magnetic fields, which provide gravitational effects. This reactor is mainly made of composite material. In similar reactors EUV can be created, in example to decontaminate polluted water.

Claims:

1. Method to produce energy within a reactor, which comprises of:
- 5 a. sustainable container wall means;
 - b. at least one chamber that can be sealed;
 - c. port/gate means for introducing materials in said chamber;
 - d. outcome means for the collection or the emitting of energy;
 - e. sealing means for the closing of said chamber, and which contains
 - 10 f. said materials from which at least one sub-quantity being radioactive and/or being able to be transformed in a radioactive isotope during the internal process;
 - g. said materials from which at least one sub-quantity being an inert gas and/or being able to be transformed in an inert gas or in inert gas vapour during the internal process;
 - 15 h. said materials from which at least one sub-quantity being a atomic or molecular metallic material and/or being able to be transformed in a atomic or molecular metallic material, in metallic gas or in metallic vapour during the internal process;
 - 20 i. said materials from which at least one sub-quantity is hydrogen and/or being able to be transformed in a atomic or molecular hydrogen, during the internal process, and
- where upon the sealing of said chamber said materials, preferable in conjunction with the matters of said container wall, said port means, said outcome means and/or said sealing means, start a controllable interaction process – called the initial dynamic process - of repositioning the plasmatic magnetic energy fields of the introduced elements, where a number of the dynamic actions between them lead to the creation of new plasmatic magnetic energy fields, like in atomic, plasmatic and molecular level, where the interaction between at least two of them simultaneously lead to the fragmentation of existing plasmatic energy fields, leading to creation of current and energy from the reactor, and where from these fragmentations can be collected useful energy output;
- 25
- 30
- 35
2. Reactor, as specified in claim 1, which is equipped with additional internal motion means, like rotation or vibrations systems, for the enhancement of said initial dynamic process, to generate a larger energy outcome;
- 40
3. Reactor, as specified in claim 1, which is equipped with additional external motion means, like rotation or vibrations systems, for the enhancement of said initial dynamic process, to generate a larger energy outcome;
- 45

4. Reactor, as specified in claim 1, which is equipped with at least one additional center core, within said chamber;
- 5 5. Reactor, as specified in claim 1, which is equipped with additional motion means, like rotation systems, when said motion means are activated, due to centrifugal forces the materials active in said initial dynamic process are positioned in prime layers (i.e. layers of inert gasses like H, He, Ne, Xe, where through the port/gate means additional materials like a metallic vapour or liquid (20)(i.e. 10 K, Na, Ca, Mg), can be introduced and positioned between those prime layers, for the creation of magnetic field(s) due to the atomic repositionings/interactions between the added metallic type layer(s) and said prime layers;
- 15 6. Reactor, working after the method as described in claim 1, which has at least one closed, internal fixed reactor chamber in which at least one inert gas (19, 23, 24) or any other gasses or elements or isotopes or other matters is present, like Hydrogen (H) (22) and liquid Helium (He), and in which the inside chamber wall(s) is 20 equipped with at least one layer and/or zone of one or more radioactive material(s) that will provoke first EUV and then scintillation;
- 25 7. Reactor, working after the method as described in claim 1, which has at least one reactor chamber in which at least one inert gas or any other element or isotope is present, like liquid Helium (He), to which a very light radioactive material (i.e. a dilution, granules, dust) is added that will provoke first EUV and then scintillation;
- 30 8. Reactor, as described in claim 6 and 7, in which additionally at least one atomic gas, metallic material vapour (20, 25) and/or liquid state element of the periodic table is added, in example: Potassium (K), Sodium (Na), Strontium (Sr) for high temperature operations above 1000K, etc.;
- 35 9. Reactor, as described in claim 5, which make it possible to create magnetic field (17A) within the center core area (12, 29), with the use of metallic or semi-metallic materials in the form of vapour or solid or any other state of matter in between different layers of the material which their motion within the core can lead to creation of 40 magnetic fields due to the passing of the electrons which created by EUV and then ionization passing through this metallic or semi-metallic material which is in rotation within the core, and this is a self-sustaining energy system or battery system which the life of the battery can be pre-determined by the atomic count of all 45 matters in the core;

- 5
10
10. Method of creating magnetic fields in the reactor, as specified in claim 5, by introducing additional special transparent saddling means where heavier elements (i.e. Uranium vapour) in the shape of plasma (21) or vapour or any other state of matter can be positioned irrespective to the atomic weight in between different gas layers or matters which by means of deliberate pumping of rotation of the material within the saddle due to passing of the electrons through the saddle media electromagnetic fields can be created;
- 15
11. Reactor, as described in claim 10, through which high-level magnetic field and consequently high gravitational field forces can be created at low temperatures in the (caroline) center core or in another core can be created, where the magnetic field created can be utilized for high power lamps (i.e. flood lights), or for the creation of strong magnetic fields necessary for shielding, intensive lighting (18B) and high heating (17B);
- 20
12. Reactor, as described in claim 10, where the saddle is tubular (25) leading to the creation of the condition for tubical magnetic field where materials (like amino-acids or dark matters) could be created within the inner hollow tubical (26) body of the saddle where the magnetic field is created in the outer layer of the tube within the layers of the reactor core;
- 25
13. Method, as described in claim 10, that can be applied on a special plasma reactor where the saddle is tubular (25) and this leads to the creation of the condition for tubical magnetic field where materials (like amino-acids or dark matters) could be created within the inner hollow tubical (26) body of the saddle where the magnetic field is created in the outer layer of the tube within the other metallic layers of the reactor core, i.e. for creation of the condition for the atomic welding within the tube;
- 30
- 35
14. Method, as described in claim 10, that can be applied on a special plasma reactor where the saddle is tubular (25) and this leads to the creation of the condition for tubical magnetic field where materials (like amino-acids or dark matters) could be created within the inner hollow tubical (26) body of the saddle where the magnetic field is created in the outer layer of the tube within the layers of the reactor core the tube creating its own gravitational free access hole, channel or area into any layer or layers of the core or the surrounding environment which the system might create, i.e. for access into the cocoon created by the reactor;
- 40
- 45

- 5 15. Method, as described in claim 10, that can be applied on a special plasma reactor where the saddle is double spherical (25) and this leads to the creation of the condition for spherical magnetic field where materials (like amino-acids or dark matters) could be created within the inner hollow spherical (26) body of the saddle where the magnetic field is created in the outer layer of the sphere within the layers of the reactor core;
- 10 16. Reactor, as described in claim 1, which has at the outside of the reactor at least one layer and/or zone of one or more material(s) that will provoke or create charged particles (18A) which the interaction of the particles with the magnetic field created in the core of the reactor can create lighting (18B) in any frequencies, or microwave production or heating in the surrounding area or vicinity of the system;
- 15 17. Reactor, as described in claim 1, having either:
- 20 a. in the embodiment a mechanical (cfr. Watch system, fly-wheel type) and/or electro-magnetic rotational mechanism (16B)(i.e. at 250 rpm) which is connected with (13) or making a whole (16A) with at least one central column (27, 16D) in which at least one container (15, 37) is located that can release precise quantities of the contained matter (i.e. radio-active material or liquid Helium) into the reactor chamber,
- 25 b. a fixed central column with on the tip rotational means which pumps through at least one channel – when needed in the plasmatic process – precise quantities of gas or other matter into the reactor chamber from at least one container in the embodiment,
- 30 c. a central column with at least one channel and with on the tip means of ionization (i.e. a micro-wave emitter, lamps, etc.);
- 35 18. Reactor, as described in claim 1, which can be started – by hand (i.e. pushing a spring, screwing, etc.), magnetically, wireless, IC's (16C) and/or by a timing mechanism - by the opening or breaking of a closed internal container (15) which holds materials for scintillation of other material;
- 40 19. Reactor, as described in claim 1, which has an inside-chamber size of 50,000 cm³ maximum;
- 45 20. Reactor, as described in claim 1, which has an inside-chamber size in nano dimensions;

21. Reactor, as described in claim 1, of which the embodiment (11) could be made in any shape and of any sustainable material and combination;
- 5 22. Reactor, as described in claim 1, acting as a light bulb or light tube, being a reactor with either:
- 10 a. at the outside a transparent layer material (14)(i.e. glass) and inside an inert gas – like Neon -, where the charged particles of the gas create an inner circulation using the magnetic field (17A) which created in the core of the reactor to excite the charged particles (18A) for them to glow (18B),
- 15 b. at the outside a double glass, (or other similar transparent or opalic material(s) or combinations) with between the (glass) layers an inert gas – like Neon or any other material - , where interaction between the magnetic fields created in the reactor and the charged particles create inside the (glass) chamber excitation leading to the creation of light or heat from the boundary of the system (i.e. IR, blue light, heating elements, etc.);
- 20 c. at the outside at least two areas of the reactor parameter could be covered by at least two different, two identical or a mixture of matters, possible wise in different states (such as other temperature, variation in pressure,) – which can be encapsulated (i.e. in layers, in tubes, or any kind of containments like square boxes, hexagons, or adjacent to each other), coated, laminated, glued, sprayed or the reactor is suspended within, which can create two or more different electromagnetic waves of different frequencies caused by the same constant strength or varying strength of the magnetic field caused by the inner core(s), what for example results in the creating of two different color lights or one color light and one heating radiation, or for optical communication by fiberglass or similar, or the use in light computers, for a new computer-language, or for satellite communication;
- 25
- 30
- 35
- 40
- 45 23. Reactor, as described in claim 1, acting like a light bulb, light tube or lighting system for nano technology or nano communication using a nano sized reactor which is in multi-layer condition where the light from the interaction of the charges of proton or electrons (description: or above mentioned fragmentations of PMEF's) using the magnetic field of the reactor to generate light for nano

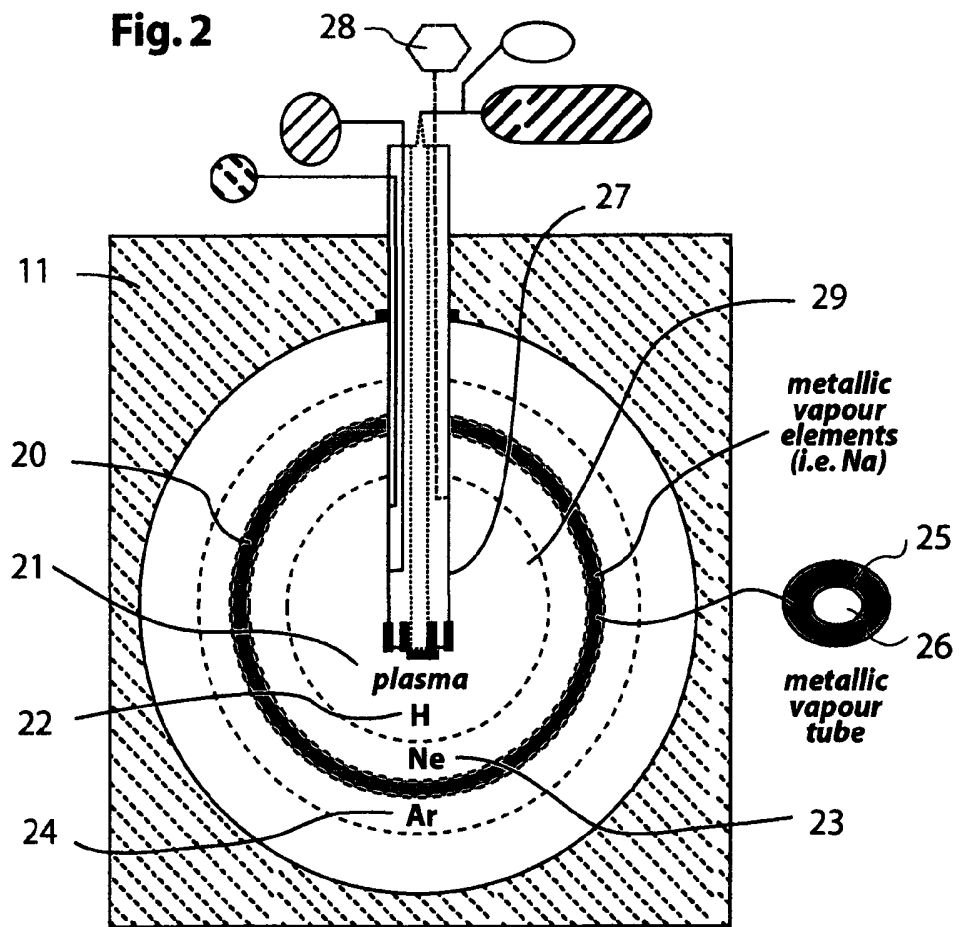
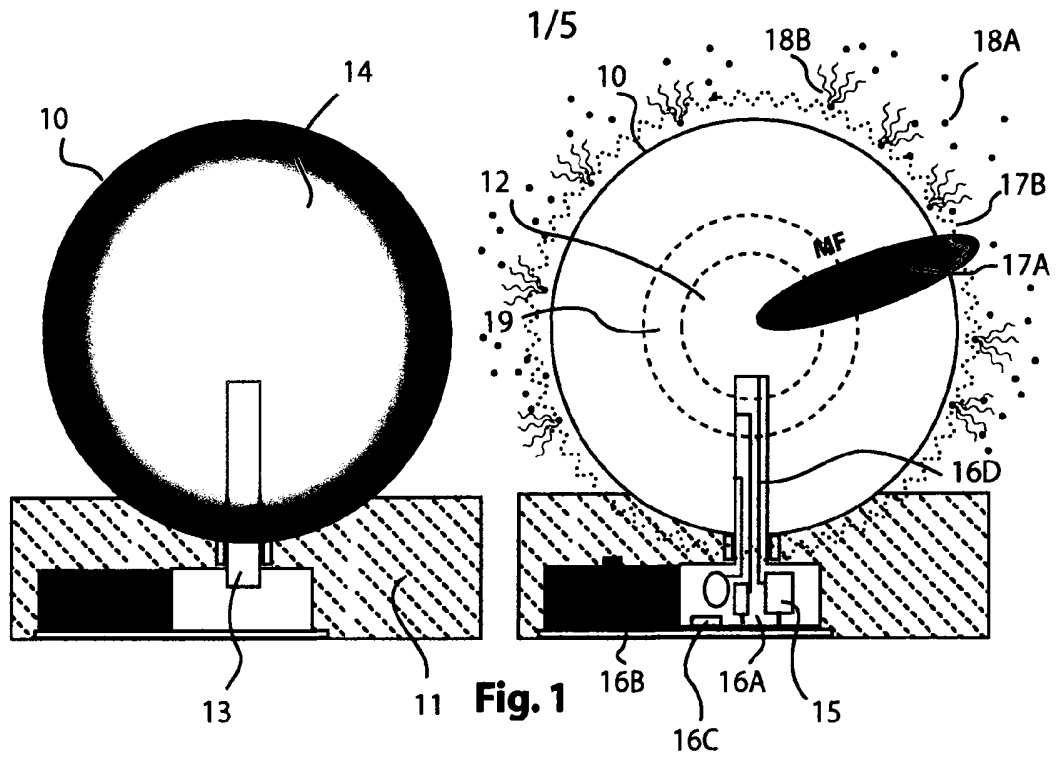
technology, for nano communication systems or for nano lighting and communication connections;

- 5 24. Reactor, as described in claim 1, acting like a lighting device, in which inside the core of their reactor using a microwave-lamp as source to create scintillation leading to creation of for example Extreme Ultra Violet lighting (i.e. used in lithography);
- 10 25. Reactor, as described in claim 1, acting like a lighting device, which can said outcome means are replaceable covers to have a different radiation effect (i.e. IR, red light, etc.) after wish;
- 15 26. Reactor, as described in claim 1, acting like a lighting device, which has an inner rotative core that creates at least a minimal rotation of the inner material(s), to avoid stagnation;
- 20 27. Reactor, as described in claim 1, acting like lighting device, which has the same types of fitting as traditional lamps, or existing ISO-norms;
- 25 28. Reactor, as described in claim 1, which can be placed in any environment, i.e. a greenhouse, where the interaction of the charged particles within that environment and the magnetic field of the reactor could create the conditions necessary - i.e. for growth of plants or decontamination of matters - which not necessary can create visible light or tangible heat but i.e. invisible electromagnetic light;
- 30 29. Reactor, as described in claim 1, which has at least one closed fixed reactor chamber with at least one inert liquid Helium (He) gas or any other materials and an additional dilution of radioactive material so their interaction provokes scintillation;
- 35 30. Reactor, as described in claim 1, concepted in a battery-like body (30), that generates and delivers at the same time DC (33) and AC (34) which can be tapped from the same or several different connecting points;
- 40 31. Reactor, as described in claim 1, concepted in a battery-like body (30), that can generate and deliver at the same time various values of DC and different AC phase power;
- 45 32. Reactor, as described in claim 1, concepted in a battery-like body (30), which has the same types of connectors (36) as all traditional batteries (i.e. figure 3: a 9V Battery type) conform the relevant ISO norms;

- 5 33. Reactor, as described in claim 1, concepted in a battery-like body (30), with a soft body embodiment of the reactor or transparent where the created EUV in conjunction with at least one created magnetic field of the reactor, this material being inside the core or outside, that can be utilized for irradiation purposes or etching or lithography on or in any material;
- 10 34. Reactor, as described in claim 1, concepted in a battery-like body (30) or heat generating system of nano-size which can be embedded in any electric and electronic component or into any solid, liquid, gaseous material;
- 15 35. Mobile phones and laptops which are powered by reactor(s), as specified in claim 1, which can create currents at micro electrovolts which can be placed inside the devices at the production lines since the battery doesn't have to be replaced for a predetermined period due to a specific atomic loading of the caroline core (i.e. 10 years);
- 20 36. Robots, cars, computers and other electronic devices, which are powered by at least two reactor(s), as specified in claim 1, each for the powering of a different part of the electrical, electronic, magnetic and/or mechanical system, i.e. robots in which each moving part has it's own proper – local independent – reactor, the internal and external communication systems have appropriate reactors and the total system is protected by a magnetic shield powered by another reactor;
- 25 37. Method to build electronic devices, powered by a reactor as specified in claim 1, such as mobile phones, laptops, sensor devices, robots, and all other electronic devices without internal power distribution lines, which reduces the number of parts inside such devices;
- 30 38. Reactor, as specified in claim 1, acting like a laser, where said outcome means, namely the body of the reactor - is transparent or a porthole or channel where mono-energetic magnetic radiation can be transmitted through an outer core interaction with a specific charged particle(s);
- 35 39. Microchips, IC's, semi-conductors and/or electric/electronic components in which at least one reactor, as specified in claim 1, is integrated or connected with to create or use micro electrovolts power-generated;
- 40
- 45

- 5
40. A method by which a reactor as specified in claim 1, is build inside an electric device, an object, a container and/or a machine as a power source (current, heat, magnetic force, micro pressure devices);
- 10
41. A method where around or inside the embodiment (11) of a magnetic fields emitting reactor, reactor as specified in claim 1, at least one coil is placed within the reach of magnetic field(s) generated in the reactor core(s), i.e. for the creation of AC current;
- 15
42. A method were for overcoming the light generated through the interaction of the magnetic field and the charged particles, either a second equal and opposite polarity magnetic field to be created by the reactor, as specified in claim 5, through multi-layering system that there will be not magnetic field present that can cause excitation of the charged particles;
- 20
43. A method whereby around at least one reactor core at least one wire (35) is fixed on the surface (31) or in the body of the surface in the appropriate way that by rotation of the inner core (caroline core) or the other core that might be involved through the rotation into the magnetic field(s) which is created inside the reactor, as specified in claim 5, leading to the generation of alternating current (AC) within the wire, and which can be tapped for various uses (34);
- 25
44. Reactor, as described in claim 5, being an energy producing system, method, concept and technology whereby in a reactor-embodiment a chain of energetic events is created via a rotative magnetic initiation of a basic ionization of a gas (i.e. hydrogen) or other matters, which then triggers a controllable chain of energy transfers (so called scintillation) to the next following layer(s) of introduced gasses (i.e. He, Ne, Ar, Kr, Xe) and all other introduced elements of the periodic table (i.e. Li, Be, K, Ca, Ti, ...Pt, etc.) and/or their introduced molecule combinations (i.e. vapor), with the possiblity to injection such materials inside the reactor chamber(s), i.e. liquid metallic elements;
- 30
- 35
- 40
- 45
45. A fixed or handheld reactor, working after the method as described in claim 1, which can be build-in, connected with and/or inserted into an electrical/electronic device (i.e. a refrigerator, various kitchen, household and professional devices, cool box, mobile phones, computer, medical apparatus, laser, satellite systems, desalination unit, desert air-to-water-transformer collecting units, EM-wave transmitter, pacemakers, etc.), an object (i.e. lighting devices in general, light bulb, lamp, torch, light

5 strip, light beam, flood light, floor light, door light, garden light,
traffic-light, street-lighting, signalization, meter, sensor, heat-
generating clothes, space clothing, pillow, connector, wire,
conductors, semi-conductors, microchips, IC's, magnetic locks,
10 etc.), a container (i.e. box, cooking pan, drum, 40FT, greenhouse,
etc.) and/or a machine (i.e. vacuum-cleaner, ventilator, calculator,
drill, mixer, wheel-chair, pumps, carpenter tools, electrical car,
electric bike, radio, office machines, etc.) with the purpose to
generate DC current (similar to a battery) and/or AC current or
15 combination of DC and AC-current, and/or for use in lighting,
and/or for use heating/cooling, and/or to maintain at least one
desired process (i.e. the creation of one or more magnetic fields,
two magnetic fields used for creating magnetic locks, etc.) for a
long period of time (i.e. 5 years), which can make their functioning
possible without being connected to an electrical power network,
without being equipped with solar cells or any other manner of
traditional power source, and/or without the need to recharge;



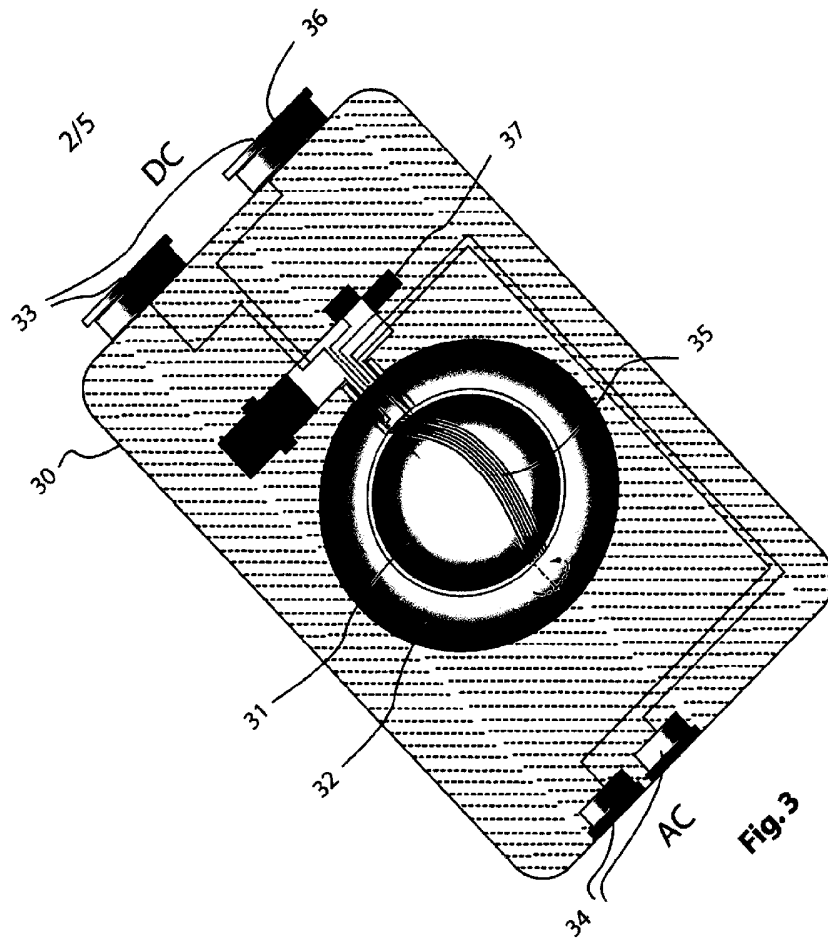




Fig. 4



Fig. 5

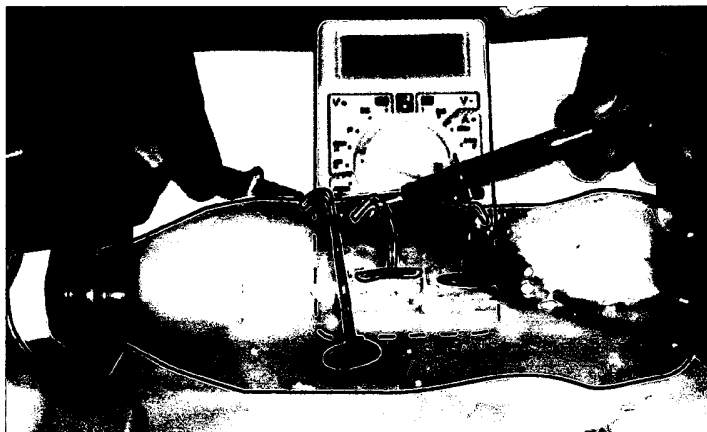


Fig. 6



Fig. 7

4/5

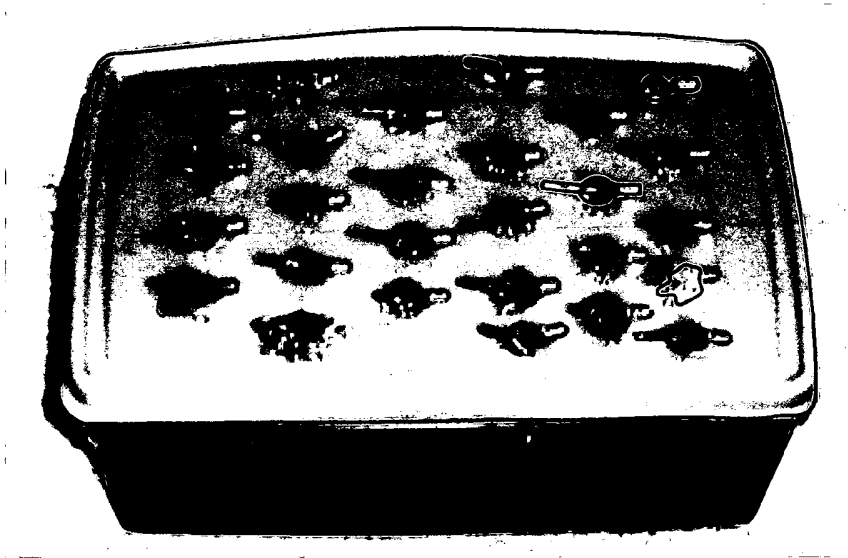


Fig. 8

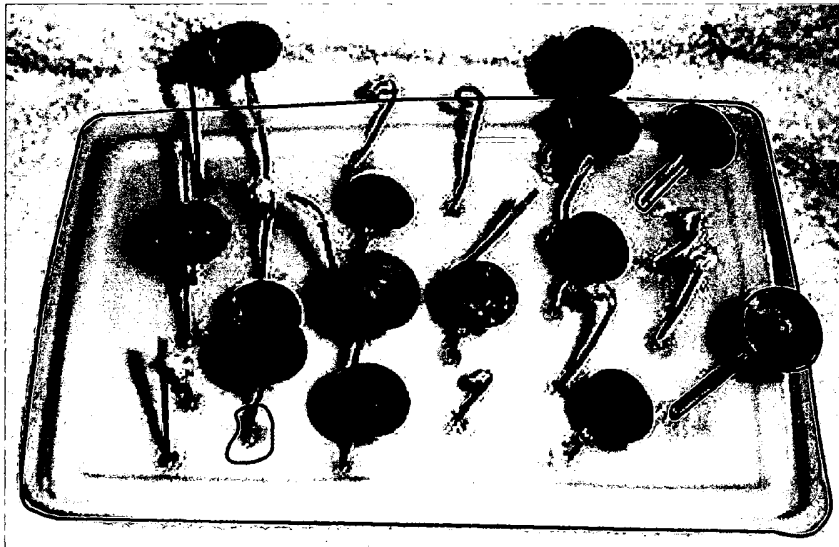


Fig. 9

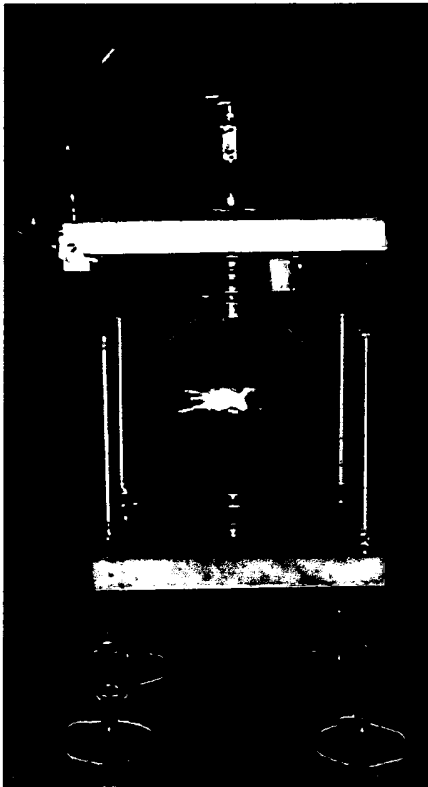


Fig. 10

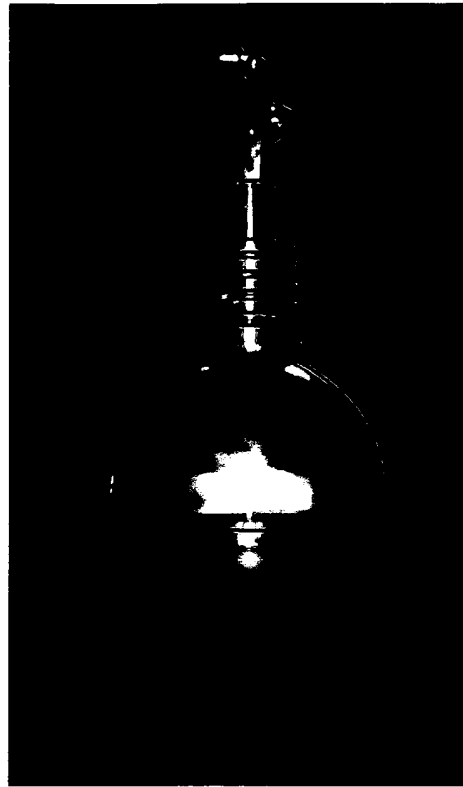


Fig. 11

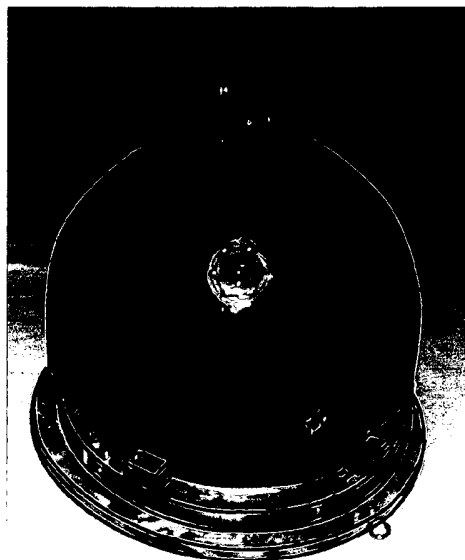


Fig. 12